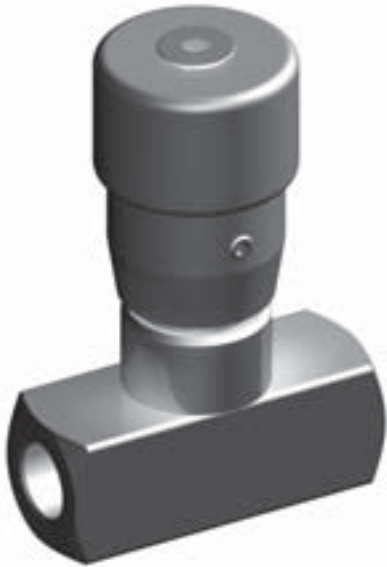


+ BD

FLOW CONTROL
B-DIRECTIONAL



CARBON STEEL

- Type: reduce flow B-directional
- Body: square
- Material: 1,0737/1,4749
- Operating pressure: PN 350
- Temp range: -20°C to +100°C depending on material selected



REDUCE
FLOW
BD

STAINLESS STEEL

- Type: reduce flow B-directional
- Body: square
- Material: 1,4404
- Operating pressure: PN 350
- Temp range: -60°C to +230°C depending on material selected



REDUCE
FLOW
BD

BD

G 1/2

CS

Type	GAS DIN/ISO 228 BSP	NPT ANSI/ASME B1.20.1	Material
BD flow control	G 1/4	N 1/4	CS Carbon steel
	G 3/8	N 3/8	
	G 1/2	N 1/2	
	G 3/4	N 3/4	
	G 1	N 1	

RF

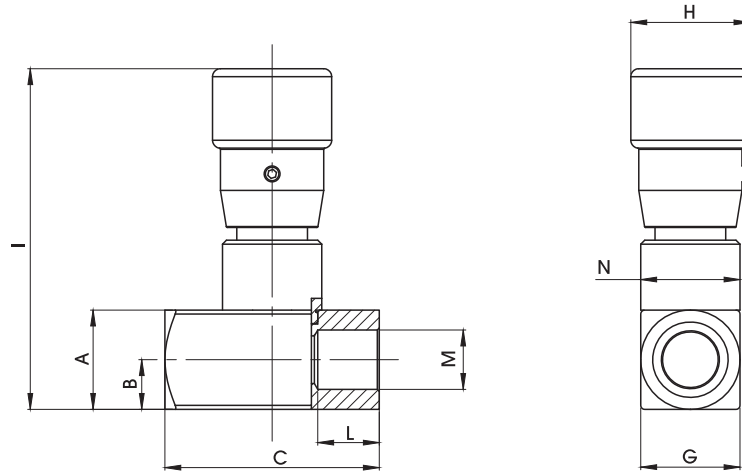
G 1/2

SS

Type	GAS DIN/ISO 228 BSP	NPT ANSI/ASME B1.20.1	Material
BD flow control	G 1/4	N 1/4	SS Stainless steel
	G 3/8	N 3/8	
	G 1/2	N 1/2	
	G 3/4	N 3/4	
	G 1	N 1	

BD

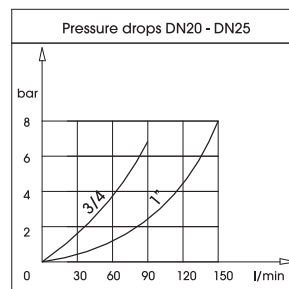
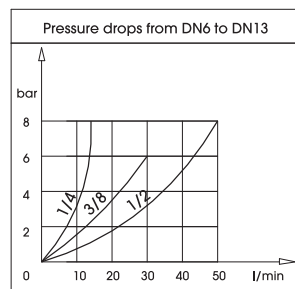
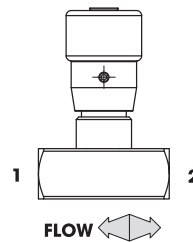
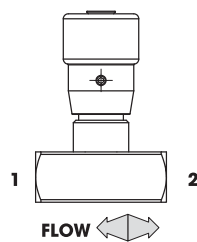




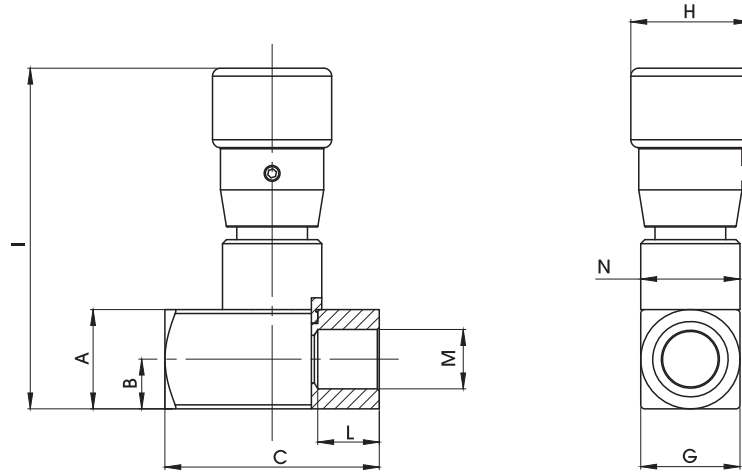
BD DIN/ISO 228 BSP

Standard

TYPE	PN	DN	MAX FLOW L/m	A	B	C	G	ØH	I	L	ØM	ØN	KG	CARBON STEEL	STAINLESS STEEL
														ITEM CODE	ITEM CODE
BD G 1/4	35 Mpa	6	15	25	12,5	54	25	30	75	15,5	G 1/4	M20X1	0,33	GG2GGT130110000	GG2GGT130440000
BD G 3/8	35 Mpa	10	30	25	12,5	54	25	30	75	15,5	G 3/8	M20X1	0,31	GG2GGT230110000	GG2GGT230440000
BD G 1/2	35 Mpa	13	50	30	15	64	30	33	81	17	G 1/2	M25X1.5	0,48	GG2GGT330110000	GG2GGT330440000
BD G 3/4	35 MPa	20	80	40	20	81	40	42	110	21	G 3/4	M35X1.5	1,13	GG2GGT430110000	GG2GGT430440000
BD G 1	35 Mpa	25	150	45	22,5	102	45	42	115	24	G 1	M35X1.5	1,5	GG2GGT530110000	GG2GGT530440000



+ **BD** FLOW CONTROL
B-DIRECTIONAL



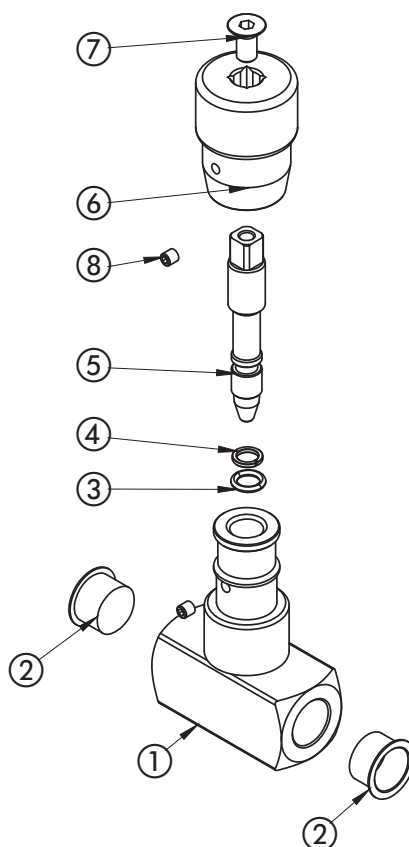
BD ANSI/ASME B1.20.1 NPT

Standard

TYPE	PN	DN	MAX FLOW L/m	A	B	C	G	ØH	I	L	ØM	ØN	KG	CARBON STEEL	STAINLESS STEEL
														ITEM CODE	ITEM CODE
BD N 1/4	35 Mpa	6	15	25	12,5	54	25	30	75	15,5	N 1/4	M20X1	0,33	GG2NNT130110000	GG2NNT130440000
BD N 3/8	35 Mpa	10	30	25	12,5	54	25	30	75	15,5	N 3/8	M20X1	0,31	GG2NNT230110000	GG2NNT230440000
BD N 1/2	35 Mpa	13	50	30	15	64	30	33	81	17	N 1/2	M25X1.5	0,48	GG2NNT330110000	GG2NNT330440000
BD N 3/4	35 MPa	20	80	40	20	81	40	42	110	21	N 3/4	M35X1.5	1,13	GG2NNT430110000	GG2NNT430440000
BD N 1	35 Mpa	25	150	45	22,5	102	45	42	115	24	N 1	M35X1.5	1,5	GG2NNT530110000	GG2NNT530440000

+ BD FLOW CONTROL
B-DIRECTIONAL

2014 - Edition 2



Carbon steel			
Pos	Description	Material	Q.tà
1	Body	1,0737	1
2	Caps	PVC	2
3	Stem	1,05	1
4	Stem o-ring	NBR	1
5	Stem ring	PTFE	1
6	Handle	ALLUMINIUM	1
7	Screw	DIN 7991 8.8	1
8	Screw	DIN 7991 8.8	1

On request

- Special Threads
- Pressure Class PN 350

Stainless steel			
Pos	Description	Material	Q.tà
1	Caps	PVC	2
2	Stem	1,44	1
3	Stem o-ring	NBR	1
4	Stem ring	PTFE	1
5	Handle	ALLUMINIUM	1
6	Screw	DIN 7991 A2	1
7	Screw	DIN 7991 A2	1
8	Seeger	X 35 Cr Mo 17	1

On request

- Special Threads
- Pressure Class PN 350

For further special requests please consult
our technical/commercial service