



G4K

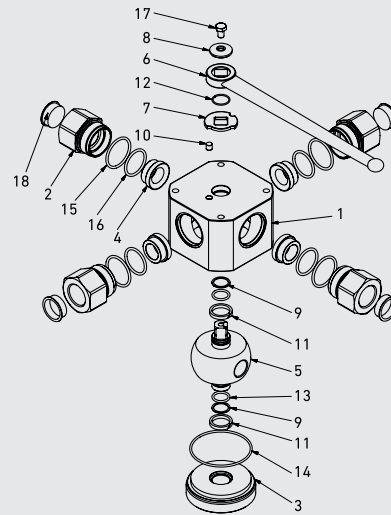
4-WAY HIGH PRESSURE BALL VALVES

Edition. 21.2

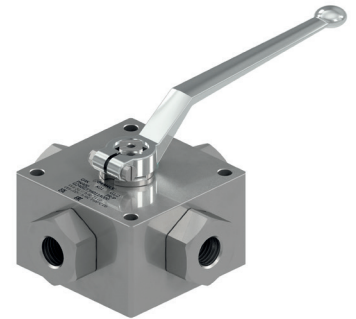
CS Carbon Steel

- Type: ball valve 4 way
- Sizes: from DN6 up to DN25
- Ends: BSP-NPT
- Pressure: up to PN500
- Temp range: from -20°C to +100°C
- Treatment: Galvanized

STANDARD COMPOSITION OF VALVE



POS	DESCRIPTION	Q.TY	CS Carbon Steel MATERIAL	POS	DESCRIPTION	Q.TY	CS Carbon Steel MATERIAL
1	Body	1	1,0737	11	Body ring	2	PTFE
2	Adapter	4	1,0737	12	Seeger	1	1,4404
3	Stemball adapter	1	1,0737	13	Stemball o-ring	2	NBR
4	Ball seat	4	POM	14	Body o-ring	1	NBR
5	Ball stem	1	1,0737	15	Adapter o-ring	4	NBR
6	Handle	1	ZINC	16	Seal o-ring	4	NBR
7	Washer	1	1,0116	17	Screw	1	DIN 6921 8.8
8	Washer	1	1,0116	18	Caps	4	PVC
9	Stemball ring	2	PTFE				
10	Pin	1	1,0737				



CODE DESCRIPTION STRUCTURE

G4K	K01	G1/4	DN6	1	1	1	1	A	B
-----	-----	------	-----	---	---	---	---	---	---

Type and way of valve

G4K 4-way

Type of way

- L K01
- T K02
- X K14

Ends

GAS DIN/ ISO 228 BSP	NPT ANSI /ASME B1.20.1
G 1/4	N 1/4
G 3/8	N 3/8
G 1/2	N 1/2
G 3/4	N 3/4
G 1	N 1
G 1 1/4 R	N 1 1/4 R
G 1 1/2 R	N 1 1/2 R

Size

from DN6 to DN25

Body Material

- 1 = 1,0737

Adapter material

- 1 = 1,0737

Stem material

- 1 = 1,0737

Ball Material

- 1 = 1,0737

Seat material

A = POM

Seal material

B = NBR

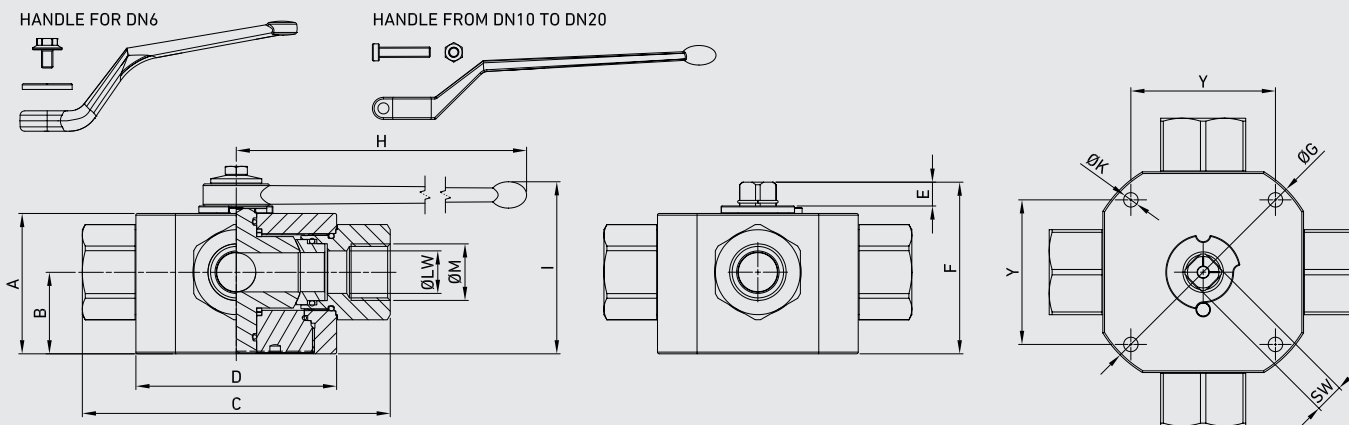
*On request

- Reduced bore
- Special threads
- Pressure class up to PN50 MPa
- Pneumatic and electrical actuator
- Locking device

For further special requests please consult our technical/commercial service.

G4K

HYDRAULIC BALL VALVES



G4K DIN ISO 228 BSP

TYPE	DN	PN	A	B	C	D	E	F	ØG	H	I	ØK	ØM	Y	SW	ØLW	WEIGHT
G4K G 1/4	6	MPa 50	mm 42	21,5	100	70	11	56,5	-	110	97,5	6,5	G 1/4	55	9	6	kg 1,767
		Psi 7250	inch 1,65	0,85	3,94	2,76	0,43	2,22	-	4,33	3,84	0,26		2,17	0,35	0,24	lb 3,90
G4K G 3/8	10	MPa 50	mm 53	28,5	115	80	14	71,5	-	180	101	6,5	G 3/8	65	14	10	kg 3,018
		Psi 7250	inch 2,09	1,12	4,53	3,15	0,55	2,81	-	7,09	3,98	0,26		2,56	0,55	0,39	lb 6,65
G4K G 1/2	13	MPa 40	mm 62	33	136	100	14	80,5	-	180	110	8,5	G 1/2	80	14	13	kg 5,247
		Psi 5800	inch 2,44	1,30	5,35	3,94	0,55	3,17	-	7,09	4,33	0,33		3,15	0,55	0,51	lb 11,57
G4K G 3/4	20	MPa 35	mm 68	36	156	113	14	86,5	-	300	116,5	8,5	G 3/4	85	14	20	kg 6,898
		Psi 5075	inch 2,68	1,42	6,14	4,45	0,55	3,41	-	11,81	4,59	0,33		3,35	0,55	0,79	lb 15,21
G4K G 1	25	MPa 35	mm 82	47,5	181	118	14	100,5	138	300	130,5	8,5	G 1	85	14	25	kg 9,005
		Psi 5075	inch 3,23	1,87	7,13	4,65	0,55	3,96	5,43	11,81	5,14	0,33		3,35	0,55	0,98	lb 19,85
G4K G 1 1/4 R	25	MPa 35	mm 82	47,5	181	118	14	100,5	138	300	130,5	8,5	G 1 1/4	85	14	25	kg 8,989
		Psi 5075	inch 3,23	1,87	7,13	4,65	0,55	3,96	5,43	11,81	5,14	0,33		3,35	0,55	0,98	lb 19,82
G4K G 1 1/2 R	25	MPa 35	mm 82	47,5	181	118	14	100,5	138	300	130,5	8,5	G 1 1/2	85	14	25	kg 9,213
		Psi 5075	inch 3,23	1,87	7,13	4,65	0,55	3,96	5,43	11,81	5,14	0,33		3,35	0,55	0,98	lb 20,31

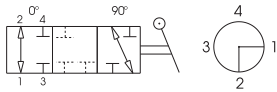
G4K ANSI/ASME B1.20.1 NPT

TYPE	DN	PN	A	B	C	D	E	F	ØG	H	I	ØK	ØM	Y	SW	ØLW	WEIGHT
G4K N 1/4	6	MPa 50	mm 42	21,5	100	70	11	56,5	-	110	97,5	6,5	N 1/4	55	9	6	kg 1,767
		Psi 7250	inch 1,65	0,85	3,94	2,76	0,43	2,22	-	4,33	3,84	0,26		2,17	0,35	0,24	lb 3,90
G4K N 3/8	10	MPa 50	mm 53	28,5	115	80	14	71,5	-	180	101	6,5	N 3/8	65	14	10	kg 3,018
		Psi 7250	inch 2,09	1,12	4,53	3,15	0,55	2,81	-	7,09	3,98	0,26		2,56	0,55	0,39	lb 6,65
G4K N 1/2	13	MPa 40	mm 62	33	136	100	14	80,5	-	180	110	8,5	N 1/2	80	14	13	kg 5,247
		Psi 5800	inch 2,44	1,30	5,35	3,94	0,55	3,17	-	7,09	4,33	0,33		3,15	0,55	0,51	lb 11,57
G4K N 3/4	20	MPa 35	mm 68	36	156	113	14	86,5	-	300	116,5	8,5	N 3/4	85	14	20	kg 6,898
		Psi 5075	inch 2,68	1,42	6,14	4,45	0,55	3,41	-	11,81	4,59	0,33		3,35	0,55	0,79	lb 15,21
G4K N 1	25	MPa 35	mm 82	47,5	181	118	14	100,5	138	300	130,5	8,5	N 1	85	14	25	kg 9,005
		Psi 5075	inch 3,23	1,87	7,13	4,65	0,55	3,96	5,43	11,81	5,14	0,33		3,35	0,55	0,98	lb 19,85
G4K N 1 1/4 R	25	MPa 35	mm 82	47,5	181	118	14	100,5	138	300	130,5	8,5	N 1 1/4	85	14	25	kg 8,989
		Psi 5075	inch 3,23	1,87	7,13	4,65	0,55	3,96	5,43	11,81	5,14	0,33		3,35	0,55	0,98	lb 19,82
G4K N 1 1/2 R	25	MPa 35	mm 82	47,5	181	118	14	100,5	138	300	130,5	8,5	N 1 1/2	85	14	25	kg 9,213
		Psi 5075	inch 3,23	1,87	7,13	4,65	0,55	3,96	5,43	11,81	5,14	0,33		3,35	0,55	0,98	lb 20,31

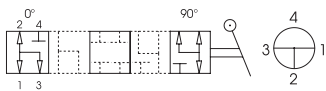
G4K DIN ISO 228 BSP

G4K ANSL/ASME B1.20.1 NPT

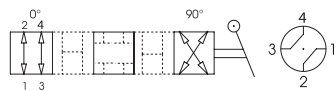
L scheme
G4 K01



T scheme
G4 K13



X scheme
G4 K14



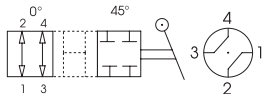
	CS Carbon Steel		CS Carbon Steel
	ØLW-K01	ITEM CODE G4K01	ØLW-K01
	6	G24GGT15011A000	6
	10	G24GGT25011A000	10
	13	G24GGT34011A000	13
	19	G24GGT43011A000	19
	23	G24GGT53011A000	23
	23	G24GGR63011A000	23
	23	G24GGR73011A000	23

	CS Carbon Steel		CS Carbon Steel
	ØLW-K13	ITEM CODE G4K13	ØLW-K13
	6	G2DGGT15011A000	6
	10	G2DGGT25011A000	10
	13	G2DGGT34011A000	13
	19	G2DGGT43011A000	19
	23	G2DGGT53011A000	23
	23	G2DGGR63011A000	23
	23	G2DGGR73011A000	23

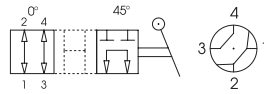
	CS Carbon Steel		CS Carbon Steel
	ØLW-K14	ITEM CODE G4K14	ØLW-K14
	5	G2EGGT15011A000	5
	7	G2EGGT25011A000	7
	10	G2EGGT34011A000	10
	15	G2EGGT43011A000	15
	17	G2EGGT53011A000	17
	17	G2EGGR63011A000	17
	17	G2EGGR73011A000	17

Special schemes on request

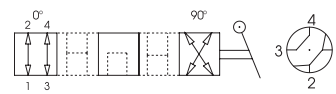
G4 K15



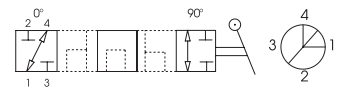
G4 K16



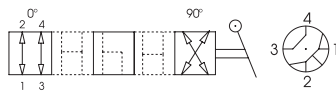
G4 K17



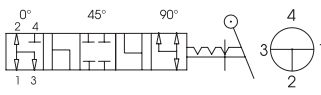
G4 K18



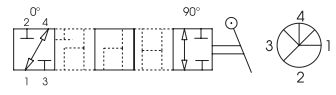
G4 K19



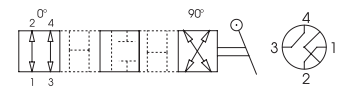
G4 K20



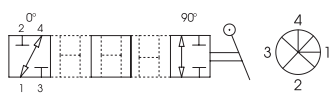
G4 K21



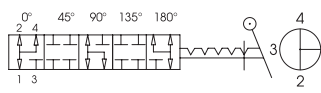
G4 K22



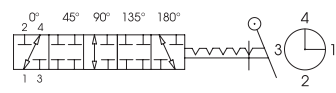
G4 K23



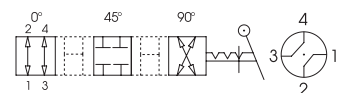
G4 K24



G4 K25



G4 K26



G4 K27

