



GBF

2-WAY HIGH PRESSURE BALL VALVES

Edition. 21.3

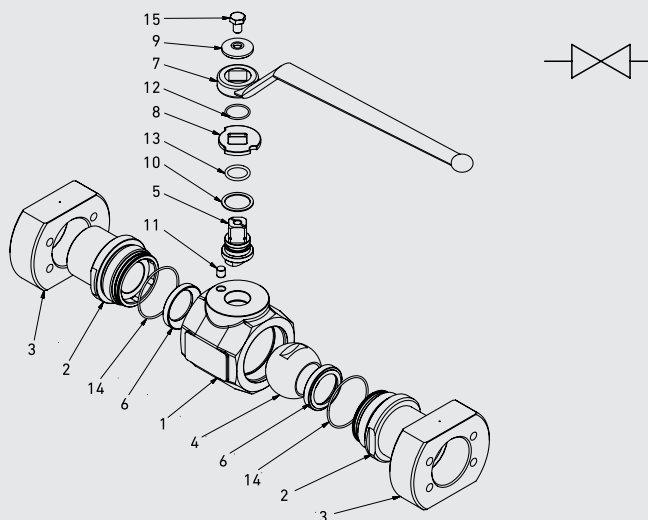
CS Carbon Steel

- Type: forged ball valve 2 way
- Sizes: from DN32 up to DN50
- Ends: ISO6162-1/-2, SAEJ518-1/-2
- Pressure: up to PN420 / S6000
- Temp range: from -30°C to +100°C (body -46°C)
- Treatment: Galvanized

SS Stainless Steel

- Type: forged ball valve 2 way
- Sizes: from DN32 up to DN50
- Ends: ISO6162-1/-2, SAEJ518-1/-2
- Pressure: up to PN420 / S6000
- Temp range: from -30°C to +100°C (body -46°C)

STANDARD COMPOSITION OF VALVE



POS	DESCRIPTION	Q.TY	CS	SS
			Carbon Steel	Stainless Steel
			MATERIAL	
1	Body	1	1,0570	1,4404
2	Adapter	2	1,0570	1,4404
3	Ball	1	1,0737	1,4404
4	Stem	1	1,0737	1,4404
5	Ball seat	2	POM	POM
6	Handle	1	1,0116	1,0116
7	Washer	1	1,0116	1,4404
8	Washer	1	1,0737	1,4404
9	Flange	2	1,0570	1,4404
10	Stem ring	1	POM	POM
11	Pin	1	1,0737	1,4404
12	Seeger	1	1,4404	1,4404
13	Adapter o-ring	4	NBR	NBR
14	Stem o-ring	1	NBR	NBR
15	Screw	1	ISO4017 8.8	ISO4017 A4



CODE DESCRIPTION STRUCTURE

GB F3 DN32 2 2 1 1 A B

Type and way of valve

GB 2-way

Ends

Valves dimension of pressure (PSI) F3 Valves dimension of pressure (PSI) F6

S3000 S6000

Size

from DN32 to DN50

Body Material

- 2 = 1,0570
- 4 = 1,4404

Adapter material

- 2 = 1,0570
- 4 = 1,4404

Stem material

- 1 = 1,0737 4 = 1,4404*
- 4 = 1,4404

Ball Material

- 1 = 1,0737 4 = 1,4404*
- 4 = 1,4404

Seat material

A = POM D = PEEK* G = PA612* K = GEMPTFE* C = PTFE*

Seal material

B = NBR E = FKM* F = EPDM* L = MVQ*

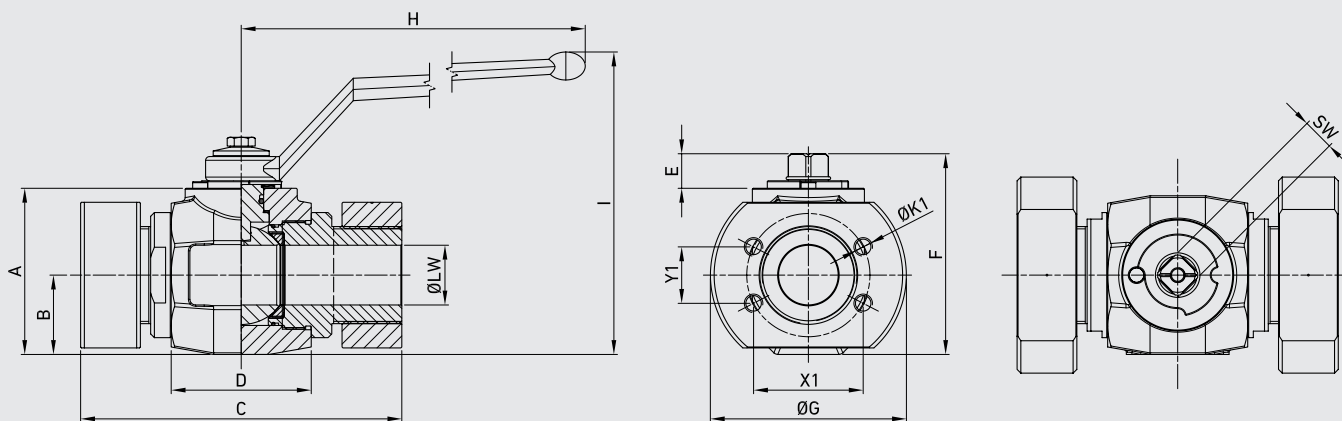
***On request**

- Reduced bore
- Special threads
- Pressure class up to PN5000 Psi
- Pneumatic and electrical actuator
- Locking device

For further special requests please consult our technical/commercial service.

GBF

HYDRAULIC BALL VALVES



GBF SAE J518 S3000 - F61

TYPE	DN	PN	A	B	C	D	E	F	ØG	H	I	ØK1	X1	Y1	SW	ØLW	WEIGHT	CS	SS
																		Carbon Steel	Stainless Steel
																		ITEM CODE	
GBF3	32	MPa 28	mm 89	42,5	172	75	14	107,5	105	310	162	M10	58,7	30,2	17	32	kg 8,102	GB2FFC3L021A000	GB2FFC3L044A000
		Psi 4060	inch 3,50	1,67	6,77	2,95	0,55	4,23	4,13	12,20	6,38		2,31	1,19	0,67	1,26	lb 17,86		
GBF3	40	MPa 21	mm 106	52,5	176,5	85	14	124,5	120	310	180	M12	69,8	35,7	17	40	kg 11,142	GB2FFC4L021A000	GB2FFC4L044A000
		Psi 3045	inch 4,17	2,07	6,95	3,35	0,55	4,90	4,72	12,20	7,09		2,75	1,41	0,67	1,57	lb 24,56		
GBF3	50	MPa 21	mm 115,5	58,5	196	98	14	134	145	310	190	M12	77,8	42,9	17	50	kg 15,343	GB2FFC5L021A000	GB2FFC5L044A000
		Psi 3045	inch 4,55	2,30	7,72	3,86	0,55	5,28	5,71	12,20	7,48		3,06	1,69	0,67	1,97	lb 33,83		

GBF SAE J518 S3000 UNC - F61

TYPE	DN	PN	A	B	C	D	E	F	ØG	H	I	ØK1	X1	Y1	SW	ØLW	WEIGHT	CS	SS
																		Carbon Steel	Stainless Steel
																		ITEM CODE	
GBF3	32	MPa 28	mm 89	42,5	172	75	14	107,5	98	310	163	7/16-14	58,7	30,2	17	32	kg 8,102	GB2FUC3L021A000	GB2FUC3L044A000
		Psi 4060	inch 3,50	1,67	6,77	2,95	0,55	4,23	3,86	12,20	6,42	UNC	2,31	1,19	0,67	1,26	lb 17,86		
GBF3	40	MPa 21	mm 106	52,5	176,5	85	14	124,5	113	310	180	1/2-13	69,8	35,7	17	40	kg 11,142	GB2FUC4L021A000	GB2FUC4L044A000
		Psi 3045	inch 4,17	2,07	6,95	3,35	0,55	4,90	4,45	12,20	7,09	UNC	2,75	1,41	0,67	1,57	lb 24,56		
GBF3	50	MPa 21	mm 115,5	58,5	196	98	14	134	123	310	190	1/2-13	77,8	42,9	17	50	kg 15,343	GB2FUC5L021A000	GB2FUC5L044A000
		Psi 3045	inch 4,55	2,30	7,72	3,86	0,55	5,28	4,84	12,20	7,48	UNC	3,06	1,69	0,67	1,97	lb 33,83		

GBF SAE J518 S6000 - F62

TYPE	DN	PN	A	B	C	D	E	F	ØG	H	I	ØK1	X1	Y1	SW	ØLW	WEIGHT	CS	SS	
																		Carbon Steel	Stainless Steel	
																			ITEM CODE	
GBF6	32	MPa 42	mm 89	42,5	172	75	14	107,5	98	310	160	M12	66,7	31,8	17	32	kg 8,102	GB2FFC93021A000	GB2FFC93044A000	
		Psi 6090	inch 3,50	1,67	6,77	2,95	0,55	4,23	3,86	12,20	6,30		2,63	1,25	0,67	1,26	lb 17,86			
GBF6	40	MPa 42	mm 106	52,5	176,5	85	14	124,5	113	310	180	M16	79,4	36,5	17	40	kg 11,142	GB2FFCA3021A000	GB2FFCA3044A000	
		Psi 6090	inch 4,17	2,07	6,95	3,35	0,55	4,90	4,45	12,20	7,09		3,13	1,44	0,67	1,57	lb 24,56			
GBF6	50	MPa 42	mm 115,5	58,5	196	98	14	134	123	310	190	M20	96,8	44,5	17	50	kg 15,343	GB2FFCB3021A000	GB2FFCB3044A000	
		Psi 6090	inch 4,55	2,30	7,72	3,86	0,55	5,28	4,84	12,20	7,48		3,81	1,75	0,67	1,97	lb 33,83			

GBF SAE J518 S6000 UNC - F62

TYPE	DN	PN	A	B	C	D	E	F	ØG	H	I	ØK1	X1	Y1	SW	ØLW	WEIGHT	CS	SS	
																		Carbon Steel	Stainless Steel	
																			ITEM CODE	
GBF6	32	MPa 42	mm 89	42,5	172	75	14	107,5	98	310	163	1/2-13	66,7	31,8	17	32	kg 8,102	GB2FUC93021A000	GB2FUC93044A000	
		Psi 6090	inch 3,50	1,67	6,77	2,95	0,55	4,23	3,86	12,20	6,42	UNC	2,63	1,25	0,67	1,26	lb 17,86			
GBF6	40	MPa 42	mm 106	52,5	176,5	85	14	124,5	113	310	180	5/8-11	79,4	36,5	17	40	kg 11,142	GB2FUCA3021A000	GB2FUCA3044A000	
		Psi 6090	inch 4,17	2,07	6,95	3,35	0,55	4,90	4,45	12,20	7,09	UNC	3,13	1,44	0,67	1,57	lb 24,56			
GBF6	50	MPa 42	mm 115,5	58,5	196	98	14	134	123	310	190	3/4-10	96,8	44,5	17	50	kg 15,343	GB2FUCB3021A000	GB2FUCB3044A000	
		Psi 6090	inch 4,55	2,30	7,72	3,86	0,55	5,28	4,84	12,20	7,48	UNC	3,81	1,75	0,67	1,97	lb 33,83			