



GE3K

3-WAY HIGH PRESSURE BALL VALVES

Edition. 21.1

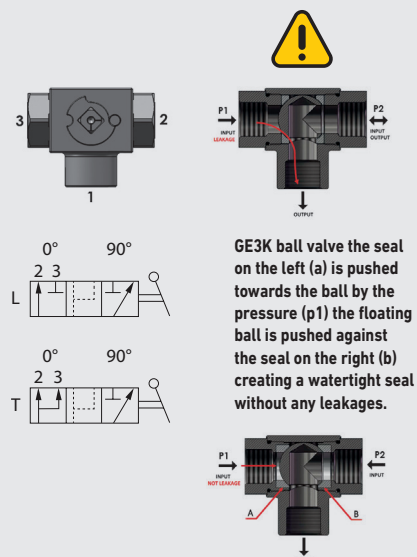
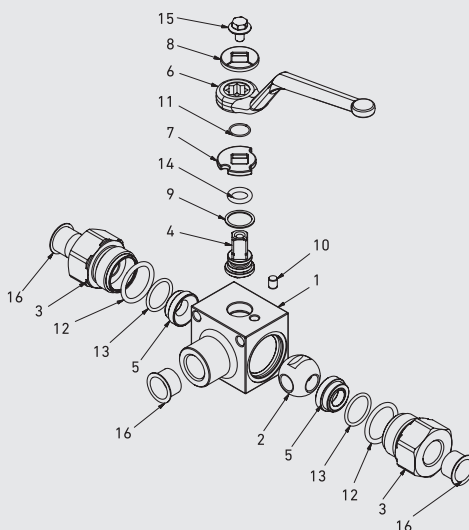
CS Carbon Steel

- Type: ball valve 3 way special seats, zero leakage
- Sizes: from DN6 up to DN25
- Ends: BSP-NPT-SAE
- Pressure: up to PN500
- Temp range: from -20°C to +100°C
- Treatment: Galvanized

SS Stainless Steel

- Type: ball valve 3 way special seats, zero leakage
- Sizes: from DN6 up to DN25
- Ends: BSP-NPT-SAE
- Pressure: up to PN500
- Temp range: from -30°C to +100°C

STANDARD COMPOSITION OF VALVE



GE3K ball valve the seal on the left (a) is pushed towards the ball by the pressure (p1) the floating ball is pushed against the seal on the right (b) creating a watertight seal without any leakages.

POS	DESCRIPTION	Q.TY	CS	SS
			Carbon Steel	Stainless Steel
			MATERIAL	
1	Body	1	1,0737	1,4404
2	Adapter	2	1,0737	1,4404
3	Ball	1	1,0737	1,4404
4	Stem	1	1,0737	1,4404
5	Ball seat	2	POM	POM
6	Handle	1	ZINC	ZINC
7	Washer	1	1,0116	1,0116
8	Washer	1	1,0116	1,4404
9	Stem ring	1	POM	POM
10	Pin	1	1,0737	1,4404
11	Seeger	1	1,4404	1,4404
12	Adapter o-ring	2	NBR	NBR
13	Seal o-ring	2	NBR	NBR
14	Stem o-ring	1	NBR	NBR
15	Screw	1	Din 6921 8.8	Din 6921 A4
16	Caps	3	PVC	PVC



CODE DESCRIPTION STRUCTURE

GE3K G1/2 DN13 1 1 1 1 A B

Type and way of valve

GE3K 3-way

Ends

GAS DIN/ ISO 228 BSP	NPT ANSI /ASME B1.20.1	SAE J1926-1
G 1/4	N 1/4	SAE4
G 3/8	N 3/8	SAE6
G 1/2	N 1/2	SAE8
G 3/4	N 3/4	SAE12
G 1	N 1	SAE16
G 1 1/4 R	N 1 1/4 R	SAE20R
G 1 1/2 R	N 1 1/2 R	SAE24R

Size

from DN6 to DN25

Body Material

- 1 = 1,0737
- 4 = 1,4404

Adapter material

- 1 = 1,0737
- 4 = 1,4404

Stem material

- 1 = 1,0737 4 = 1,4404*
- 4 = 1,4404

Ball Material

- 1 = 1,0737 4 = 1,4404*
- 4 = 1,4404

Seat material

A = POM D = PEEK* G = PA612* K = GEMPTFE* C = PTFE*

Seal material

B = NBR E = FKM* F = EPDM* L = MVQ*

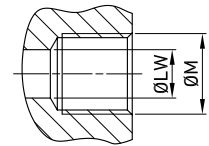
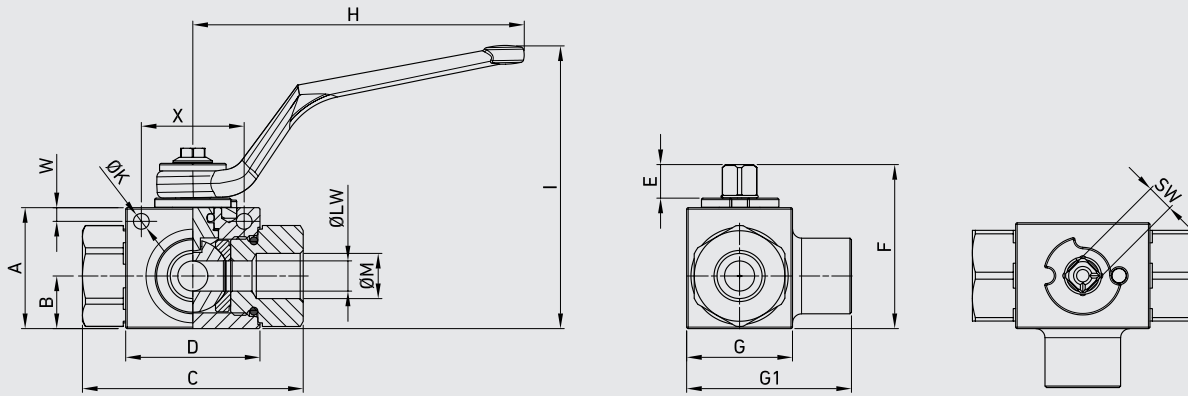
***On request**

- Reduced bore
- Special threads
- Pressure class up to PN40 Mpa
- Pneumatic and electrical actuator
- Security block
- Locking device

For further special requests please consult our technical/commercial service.

GE3K

HYDRAULIC BALL VALVES

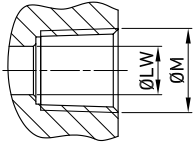


GE3K DIN/ISO 228 BSP

TYPE	DN	PN												CS		SS					
			A	B	C	D	E	F	G	G1	H	I	ØM	ØK*	W*	X*	SW	ØLW	WEIGHT	ITEM CODE	
GE3K G 1/4	6	MPa 50	mm 35	14,5	71	42,4	11	49	30	48,5	110	87	G 1/4	5,25	4,5	34	9	6	kg 0,536	GK3GGT14011A000	GK3GGT14044A000
		Psi 7250	inch 1,38	0,57	2,80	1,67	0,43	1,93	1,18	1,91	4,33	3,43		0,21	0,18	1,34	0,35	0,24	lb 1,18		
GE3K G 3/8	10	MPa 50	mm 40	17,4	73	44,4	11	54,25	35	54,5	110	93	G 3/8	5,25	4,5	34	9	10	kg 0,695	GK3GGT24011A000	GK3GGT24044A000
		Psi 7250	inch 1,57	0,69	2,87	1,75	0,43	2,14	1,38	2,15	4,33	3,66		0,21	0,18	1,34	0,35	0,39	lb 1,53		
GE3K G 1/2	13	MPa 50	mm 43	19,7	83	48,4	11	57	37	58,5	110	97	G 1/2	5,25	5	36	9	13	kg 0,825	GK3GGT33011A000	GK3GGT33044A000
		Psi 7250	inch 1,69	0,78	3,27	1,91	0,43	2,24	1,46	2,30	4,33	3,82		0,21	0,20	1,42	0,35	0,51	lb 1,82		
GE3K G 3/4	20	MPa 40 35	mm 57	25,4	95	62,5	14	75,5	49	75	180	105	G 3/4	6,25	6	50	14	20	kg 1,583	GK3GGT44011A000	GK3GGT43044A000
		Psi 5800 5075	inch 2,24	1,00	3,74	2,46	0,55	2,97	1,93	2,95	7,09	4,13		0,25	0,24	1,97	0,55	0,79	lb 3,49		
GE3K G 1	25	MPa 35	mm 65	29,5	105	66,5	14	83,5	55	89	180	113	G 1	6,25	6	50	14	25	kg 2,421	GK3GGT53011A000	GK3GGT53044A000
		Psi 5075	inch 2,56	1,16	4,13	2,62	0,55	3,29	2,17	3,50	7,09	4,45		0,25	0,24	1,97	0,55	0,98	lb 5,34		
GE3K G 1 1/4 R	25	MPa 35	mm 65	29,5	120	66,5	14	83,5	55	89	180	113	G 1 1/4	6,25	6	50	14	25	kg 2,601	GK3GGR63011A000	GK3GGR63044A000
		Psi 5075	inch 2,56	1,16	4,72	2,62	0,55	3,29	2,17	3,50	7,09	4,45		0,25	0,24	1,97	0,55	0,98	lb 5,73		
GE3K G 1 1/2 R	25	MPa 35	mm 65	29,5	124	66,5	14	83,5	55	89	180	113	G 1 1/2	6,25	6	50	14	25	kg 2,756	GK3GGR73011A000	GK3GGR73044A000
		Psi 5075	inch 2,56	1,16	4,88	2,62	0,55	3,29	2,17	3,50	7,09	4,45		0,25	0,24	1,97	0,55	0,98	lb 6,08		

Size only for carbon steel valves with fixing holes included.

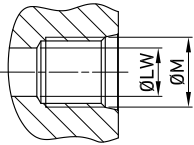
FIXING HOLES INCLUDED


GE3K ANSI/ASME B1.20.1 NPT

																	CS Carbon Steel		SS Stainless Steel						
TYPE	DN	PN		A	B	C	D	E	F	G	G1	H	I	ØM	ØK*	W*	X*	SW	ØLW	WEIGHT	ITEM CODE				
GE3K N 1/4	6	MPa	50	mm	35	14,5	71	42,4	11	49	30	48,5	110	87	N 1/4	5,25	4,5	34	9	6	kg	0,536	GK3NNT1401A000	GK3NNT14044A000	
		Psi	7250	inch	1,38	0,57	2,80	1,67	0,43	1,93	1,18	1,91	4,33	3,43		0,21	0,18	1,34	0,35	0,24	lb	1,18			
GE3K N 3/8	10	MPa	50	mm	40	17,4	73	44,4	11	54,25	35	54,5	110	93	N 3/8	5,25	4,5	34	9	10	kg	0,695	GK3NNT2401A000	GK3NNT24044A000	
		Psi	7250	inch	1,57	0,69	2,87	1,75	0,43	2,14	1,38	2,15	4,33	3,66		0,21	0,18	1,34	0,35	0,39	lb	1,53			
GE3K N 1/2	13	MPa	50	mm	43	19,7	83	48,4	11	57	37	58,5	110	97	N 1/2	5,25	5	36	9	13	kg	0,825	GK3NNT3301A000	GK3NNT33044A000	
		Psi	7250	inch	1,69	0,78	3,27	1,91	0,43	2,24	1,46	2,30	4,33	3,82		0,21	0,20	1,42	0,35	0,51	lb	1,82			
GE3K N 3/4	20	MPa	40	35	mm	57	25,4	95	62,5	14	75,5	49	75	180	105	N 3/4	6,25	6	50	14	20	kg	1,583	GK3NNT4401A000	GK3NNT43044A000
		Psi	5800	5075	inch	2,24	1,00	3,74	2,46	0,55	2,97	1,93	2,95	7,09	4,13		0,25	0,24	1,97	0,55	0,79	lb	3,49		
GE3K N 1	25	MPa	35	mm	65	29,5	105	66,5	14	83,5	55	89	180	113	N 1	6,25	6	50	14	25	kg	2,421	GK3NNT5301A000	GK3NNT53044A000	
		Psi	5075	inch	2,56	1,16	4,13	2,62	0,55	3,29	2,17	3,50	7,09	4,45		0,25	0,24	1,97	0,55	0,98	lb	5,34			
GE3K N 1/4 R	25	MPa	35	mm	65	29,5	120	66,5	14	83,5	55	89	180	113	N 1	6,25	6	50	14	25	kg	2,601	GK3NNR6301A000	GK3NNR63044A000	
		Psi	5075	inch	2,56	1,16	4,72	2,62	0,55	3,29	2,17	3,50	7,09	4,45		1/4	0,25	0,24	1,97	0,55	0,98	lb			5,73
GE3K N 1/2 R	25	MPa	35	mm	65	29,5	124	66,5	14	83,5	55	89	180	113	N 1	6,25	6	50	14	25	kg	2,756	GK3NNR7301A000	GK3NNR73044A000	
		Psi	5075	inch	2,56	1,16	4,88	2,62	0,55	3,29	2,17	3,50	7,09	4,45		1/2	0,25	0,24	1,97	0,55	0,98	lb			6,08

Size only for carbon steel valves with fixing holes included.

FIXING HOLES INCLUDED


GE3K SAE J1926-1

																	CS Carbon Steel		SS Stainless Steel						
TYPE	DN	PN		A	B	C	D	E	F	G	G1	H	I	ØM	ØK*	W*	X*	SW	ØLW	WEIGHT	ITEM CODE				
GE3K SAE4	6	MPa	50	mm	35	14,5	71	42,4	11	49	30	48,5	110	87	7/16	5,25	4,5	34	9	6	kg	0,536	GK3EEE0401A000	GK3EEE04044A000	
		Psi	7250	inch	1,38	0,57	2,80	1,67	0,43	1,93	1,18	1,91	4,33	3,43		UNF	0,21	0,18	1,34	0,35	0,24	lb			1,18
GE3K SAE6	10	MPa	50	mm	40	17,4	73	44,4	11	54,25	35	54,5	110	93	9/16	5,25	4,5	34	9	10	kg	0,695	GK3EEE1401A000	GK3EEE14044A000	
		Psi	7250	inch	1,57	0,69	2,87	1,75	0,43	2,14	1,38	2,15	4,33	3,66		UNF	0,21	0,18	1,34	0,35	0,39	lb			1,53
GE3K SAE8	13	MPa	50	mm	43	19,7	83	48,4	11	57	37	58,5	110	97	3/4	5,25	5	36	9	13	kg	0,825	GK3EEE2301A000	GK3EEE23044A000	
		Psi	7250	inch	1,69	0,78	3,27	1,91	0,43	2,24	1,46	2,30	4,33	3,82		UNF	0,21	0,20	1,42	0,35	0,51	lb			1,82
GE3K SAE12	20	MPa	40	35	mm	57	25,4	95	62,5	14	75,5	49	75	180	105	1 1/16	6,25	6	50	14	20	kg	1,583	GK3EEE3401A000	GK3EEE34044A000
		Psi	5800	5075	inch	2,24	1,00	3,74	2,46	0,55	2,97	1,93	2,95	7,09	4,13		UNF	0,25	0,24	1,97	0,55	0,79	lb		
GE3K SAE16	25	MPa	35	mm	65	29,5	105	66,5	14	83,5	55	89	180	113	1 5/16	6,25	6	50	14	25	kg	2,421	GK3EEE4301A000	GK3EEE43044A000	
		Psi	5075	inch	2,56	1,16	4,13	2,62	0,55	3,29	2,17	3,50	7,09	4,45		UNF	0,25	0,24	1,97	0,55	0,98	lb			5,34
GE3K SAE20R	25	MPa	35	mm	65	29,5	120	66,5	14	83,5	55	89	180	113	1 5/8	6,25	6	50	14	25	kg	2,601	GK3EEE5301A000	GK3EEE53044A000	
		Psi	5075	inch	2,56	1,16	4,72	2,62	0,55	3,29	2,17	3,50	7,09	4,45		UNF	0,25	0,24	1,97	0,55	0,98	lb			5,73
GE3K SAE24R	25	MPa	35	mm	65	29,5	124	66,5	14	83,5	55	89	180	113	1 7/8	6,25	6	50	14	25	kg	2,756	GK3EEE6301A000	GK3EEE63044A000	
		Psi	5075	inch	2,56	1,16	4,88	2,62	0,55	3,29	2,17	3,50	7,09	4,45		UNF	0,25	0,24	1,97	0,55	0,98	lb			6,08

Size only for carbon steel valves with fixing holes included.

FIXING HOLES INCLUDED