



GEM

2-WAY HIGH PRESSURE BALL VALVES

Edition. 21.1

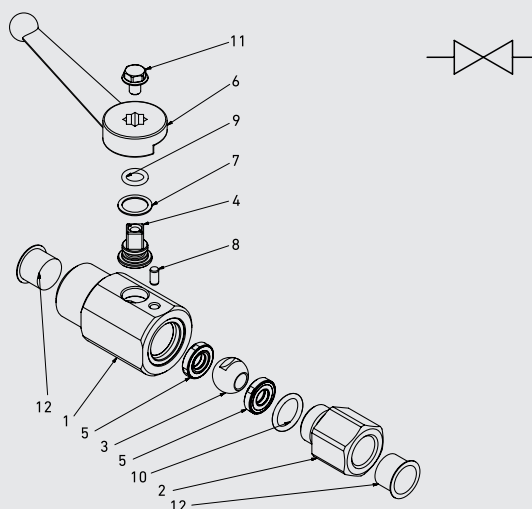
CS Carbon Steel

- Type: ball valve 2 way
- Sizes: DN6
- Ends: BSP-NPT-SAE
- Pressure: up to PN500
- Temp range: from -20°C to +100°C
- Treatment: Galvanized

SS Stainless Steel

- Type: ball valve 2 way
- Sizes: DN6
- Ends: BSP-NPT-SAE
- Pressure: up to PN500
- Temp range: from -30°C to +100°C

STANDARD COMPOSITION OF VALVE



POS	DESCRIPTION	Q.TY	CS	SS
			Carbon Steel	Stainless Steel
			MATERIAL	
1	Body	1	1,0737	1,4305
2	Adapter	1	1,0737	1,4305
3	Ball	1	1,0737	1,4404
4	Stem	1	1,0737	1,4305
5	Ball seat	2	POM	POM
6	Handle	1	ZINC	ZINC
7	Stem ring	1	POM	POM
8	Pin	1	1,0737	1,4404
9	Stem o-ring	1	NBR	NBR
10	Adapter o-ring	2	NBR	NBR
11	Screw	1	DIN 6921 8.8	DIN 6921 A4
12	Caps	2	PVC	PVC



CODE DESCRIPTION STRUCTURE

GEM	G 1/4	DN6	1	1	1	1	A	B
-----	-------	-----	---	---	---	---	---	---

Type and way of valve

GEM 2-way

Ends

GAS DIN/	NPT ANSI	SAE
ISO 228	/ASME	J1926-1
BSP	B1.20.1	
G 1/4	N 1/4	SAE4

Size

DN6

Body Material

- 1 = 1,0737
- 3 = 1,4305

Adapter material

- 1 = 1,0737
- 3 = 1,4305

Stem material

- 1 = 1,0737 3 = 1,4305*
- 3 = 1,4305

Ball Material

- 4 = 1,4404
- 4 = 1,4404

Seat material

A = POM D = PEEK* G = PA612* C = PTFE*

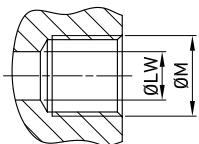
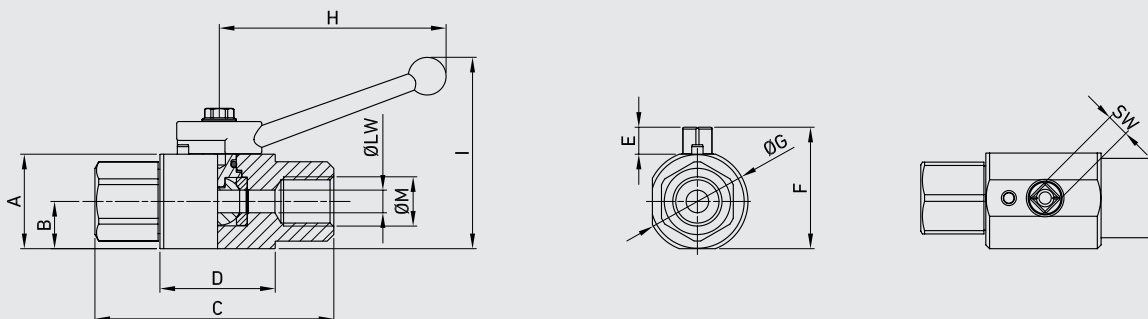
Seal material

B = NBR E = FKM* F = EPDM* L = MVQ*

*On request

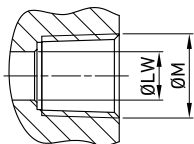
- Reduced bore
- Special threads
- Pressure class up to PN50 Mpa
- Locking device

For further special requests please consult our technical/commercial service.



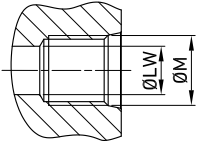
GEM DIN/ISO 228 BSP

TYPE	DN	PN	A	B	C	D	E	F	ØG	H	I	ØM	SW	ØLW	WEIGHT	CS	SS			
																Carbon Steel	Stainless Steel			
																ITEM CODE				
GEM G 1/4	6	MPa	50	mm	25	12,5	63	31,5	7	32,5	26,8	60	51	G 1/4	6	6	kg	0,195	G12GGT15011A000	G12GGT15033A000
		Psi	7250	inch	0,98	0,49	2,48	1,24	0,28	1,28	1,06	2,36	2,01		0,24	0,24	lb	0,43		



GEM ANSI/ASME B1.20.1 NPT

TYPE	DN	PN	A	B	C	D	E	F	ØG	H	I	ØM	SW	ØLW	WEIGHT	CS	SS			
																Carbon Steel	Stainless Steel			
																ITEM CODE				
GEM N 1/4	6	MPa	50	mm	25	12,5	63	31,5	7	32,5	26,8	60	51	N 1/4	6	6	kg	0,195	G12NNT15011A000	G12NNT15033A000
		Psi	7250	inch	0,98	0,49	2,48	1,24	0,28	1,28	1,06	2,36	2,01		0,24	0,24	lb	0,43		



GEM SAE J1926-1

TYPE	DN	PN		A	B	C	D	E	F	ØG	H	I	ØM	SW	ØLW	WEIGHT	CS	SS
		MPa	psi														mm	inch
																	ITEM CODE	
GEM SAE4	6	50	7250	25	12,5	63	31,5	7	32,5	26,8	60	51	7/16-	6	6	0,195	G12EEE05011A000	G12EEE05033A000
				mm	inch	kg	lb	20 UNF	0,24	0,24	0,43							