



# GES

## 2-WAY HIGH PRESSURE BALL VALVES

Edition. 21.4

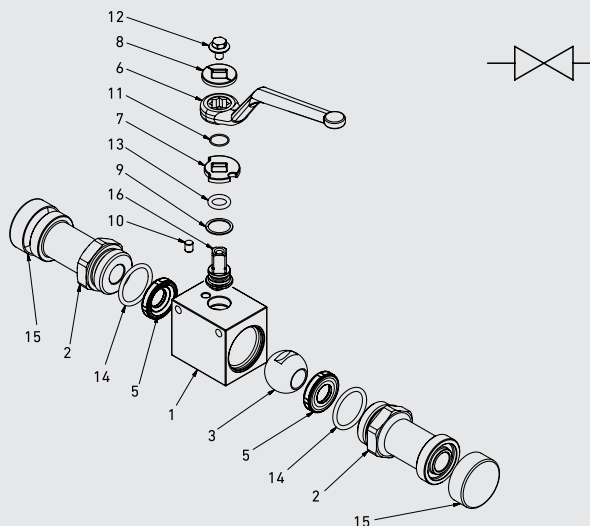
### CS Carbon Steel

- Type: ball valve 2 way
- Sizes: from DN13 up to DN25
- Ends: SAE J518
- Pressure: up to PN420 / S6000
- Temp range: -20°C to +100°C
- Treatment: Galvanized

### SS Stainless Steel

- Type: ball valve 2 way
- Sizes: from DN13 up to DN25
- Ends: SAE J518
- Pressure: up to PN420 / S6000
- Temp range: -30°C to +100°C

### STANDARD COMPOSITION OF VALVE



POS	DESCRIPTION	Q.TY	CS	SS
			Carbon Steel	Stainless Steel
			MATERIAL	
1	Body	1	1,0737	1,4404
2	Adapter	2	1,0737	1,4404
3	Ball	1	1,0737	1,4404
4	Stem	1	1,0737	1,4404
5	Ball seat	2	POM	POM
6	Handle	1	ZINC	ZINC
7	Washer	1	1,0116	1,4404
8	Washer	1	1,0116	1,4404
9	Stem ring	1	POM	POM
10	Pin	1	1,0737	1,4404
11	Seeger	1	1,4404	1,4404
12	Adapter o-ring	2	NBR	NBR
13	Stem o-ring	1	NBR	NBR
14	Screw	1	Din 6921 8.8	Din 6921 A4
15	Caps	2	PVC	PVC



## CODE DESCRIPTION STRUCTURE

**GE S3 DN13 1 1 1 1 A B**

**Type and way of valve**

GE 2-way

**Ends**

Valves dimension of pressure (PSI) S3 Valves dimension of pressure (PSI) S6

S3000 S6000

**Size**

from DN13 to DN25

**Body Material**

- 1 = 1,0737
- 4 = 1,4404

**Adapter material**

- 1 = 1,0737
- 4 = 1,4404

**Stem material**

- 1 = 1,0737 4 = 1,4404\*
- 4 = 1,4404

**Ball Material**

- 1 = 1,0737 4 = 1,4404\*
- 4 = 1,4404

**Seat material**

A = POM D = PEEK\* G = PA612\* K = GEMPTFE\* C = PTFE\*

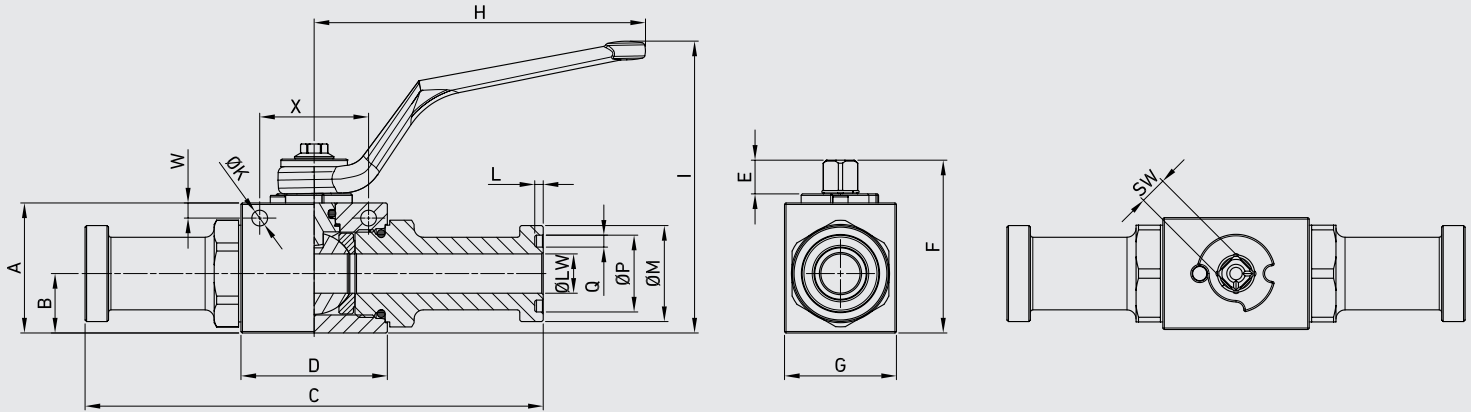
**Seal material**

B = NBR E = FKM\* F = EPDM\* L = MVQ\*

**\*On request**

- Reduced bore
- Special threads
- Pressure class up to PN6000 Psi
- Pneumatic and electrical actuator
- Locking device

For further special requests please consult our technical/commercial service.



GES SAE J518 S3000 - C61

TYPE	DN	PN	A	B	C	D	E	F	G	H	I	L	ØM	ØP	Q	ØK*	W*	X*	SW	ØLW	WEIGHT	CS	SS
																						Carbon Steel	Stainless Steel
																						ITEM CODE	
GES3	13	MPa 35	mm 43	19,7	151,5	48,4	11	57	37	110	99,5	2,79	30,2	25,4	3,94	5,25	5	36	9	13	kg 0,96	GE2SSC0L011A000	GE2SSC0L044A000
		Psi 5075	inch 1,69	0,78	5,96	1,91	0,43	2,24	1,46	4,33	3,92	0,11	1,19	1,00	0,16	0,21	0,20	1,42	0,35	0,51	lb 2,12		
GES3	20	MPa 35	mm 55	25,4	162	62,5	14	75,5	45	180	106,5	2,79	38,1	31,75	3,94	6,25	6	50	14	20	kg 1,717	GE2SSC1L011A000	GE2SSC1L044A000
		Psi 5075	inch 2,17	1,00	6,38	2,46	0,55	2,97	1,77	7,09	4,19	0,11	1,50	1,25	0,16	0,25	0,24	1,97	0,55	0,79	lb 3,79		
GES3	25	MPa 35	mm 65	29,5	178	66,5	14	83,5	55	180	116,5	2,79	44,4	39,2	3,94	6,25	6	50	14	25	kg 2,597	GE2SSC2L011A000	GE2SSC2L044A000
		Psi 5075	inch 2,56	1,16	7,01	2,62	0,55	3,29	2,17	7,09	4,59	0,11	1,75	1,54	0,16	0,25	0,24	1,97	0,55	0,98	lb 5,73		

Size only for carbon steel valves with fixing holes included.

GES3 SAE J518 S3000 EXTRA LONG - C61

TYPE	DN	PN	A	B	C	D	E	F	G	H	I	L	ØM	ØP	Q	ØK*	W*	X*	SW	ØLW	WEIGHT	CS
																						Carbon Steel
																						ITEM CODE
GES3	13	MPa 35	mm 43	19,7	170	48,4	11,1	57,25	37	110	97	2,79	30,2	25,4	3,94	5,25	5	36	9	13	kg 1,02	GE2SXC0L011A000
		Psi 5075	inch 1,69	0,78	6,69	1,91	0,44	2,25	1,46	4,33	3,82	0,11	1,19	1,00	0,16	0,21	0,20	1,42	0,35	0,51	lb 2,25	
GES3	20	MPa 35	mm 57	25,4	200	62,5	14,35	75,5	49	180	105	2,79	38,1	31,75	3,94	6,25	6	50	14	19	kg 2,07	GE2SXC1L011A000
		Psi 5075	inch 2,24	1,00	7,87	2,46	0,56	2,97	1,93	7,09	4,13	0,11	1,50	1,25	0,16	0,25	0,24	1,97	0,55	0,75	lb 4,56	
GES3	25	MPa 35	mm 65	29,5	215	66,5	14,35	83,5	55	180	112,6	2,79	44,45	39,62	3,94	6,25	6	50	14	25	kg 2,79	GE2SXC2L011A000
		Psi 5075	inch 2,56	1,16	8,46	2,62	0,56	3,29	2,17	7,09	4,43	0,11	1,75	1,56	0,16	0,25	0,24	1,97	0,55	0,98	lb 6,15	

Size only for carbon steel valves with fixing holes included.

**GES SAE J518 S6000 - C62**

TYPE	DN	PN																		CS	SS		
			A	B	C	D	E	F	G	H	I	L	ØM	ØP	Q	ØK*	W*	X*	SW	ØLW	WEIGHT	Carbon Steel	Stainless Steel
																						ITEM CODE	
GES6	13	MPa 42	mm 43	19,7	151,5	48,4	11	57	37	110	99,5	2,79	31,6	25,4	3,94	5,25	5	36	9	13	kg 0,956	GE2SSC6G011A000	GE2SSC6G044A000
		Psi 6090	inch 1,69	0,78	5,96	1,91	0,43	2,24	1,46	4,33	3,92	0,11	1,24	1,00	0,16	0,21	0,20	1,42	0,35	0,51	lb 2,11		
GES6	20	MPa 42	mm 55	25,4	174	62,5	14	75,5	45	180	106,5	2,79	41,3	31,75	3,94	6,25	6	50	14	20	kg 1,792	GE2SSC74011A000	GE2SSC74044A000
		Psi 6090	inch 2,17	1,00	6,85	2,46	0,55	2,97	1,77	7,09	4,19	0,11	1,63	1,25	0,16	0,25	0,24	1,97	0,55	0,79	lb 3,95		
GES6	25	MPa 42	mm 65	29,5	198	66,5	14	83,5	55	180	116,5	2,79	47,8	39,2	3,94	6,25	6	50	14	25	kg 2,759	GE2SSC83011A000	GE2SSC83044A000
		Psi 6090	inch 2,56	1,16	7,80	2,62	0,55	3,29	2,17	7,09	4,59	0,11	1,88	1,54	0,16	0,25	0,24	1,97	0,55	0,98	lb 6,08		

Size only for carbon steel valves with fixing holes included.

**GES6 SAE J518 S6000 EXTRA LONG - C62**

TYPE	DN	PN																		CS		
			A	B	C	D	E	F	G	H	I	L	ØM	ØP	Q	ØK*	W*	X*	SW	ØLW	WEIGHT	Carbon Steel
																						ITEM CODE
GES6	13	MPa 42	mm 43	19,7	180	48,4	11,1	57,25	37	110	97	2,79	31,75	25,4	3,94	5,25	5	36	9	13	kg 1,05	GE2SXC6G011A000
		Psi 6090	inch 1,69	0,78	7,09	1,91	0,44	2,25	1,46	4,33	3,82	0,11	1,25	1,00	0,16	0,21	0,20	1,42	0,35	0,51	lb 2,31	
GES6	20	MPa 42	mm 57	25,4	200	62,5	14,35	75,5	49	180	105	2,79	41,3	31,75	3,94	6,25	6	50	14	19	kg 2,11	GE2SXC74011A000
		Psi 6090	inch 2,24	1,00	7,87	2,46	0,56	2,97	1,93	7,09	4,13	0,11	1,63	1,25	0,16	0,25	0,24	1,97	0,55	0,75	lb 4,65	
GES6	25	MPa 42	mm 65	29,5	250	66,5	14,35	83,5	55	180	112,6	2,79	47,63	39,62	3,94	6,25	6	50	14	25	kg 3,07	GE2SXC83011A000
		Psi 6090	inch 2,56	1,16	9,84	2,62	0,56	3,29	2,17	7,09	4,43	0,11	1,88	1,56	0,16	0,25	0,24	1,97	0,55	0,98	lb 6,77	

Size only for carbon steel valves with fixing holes included.