



# GN

## 2-WAY HIGH PRESSURE BALL VALVES

Edition. 21.7

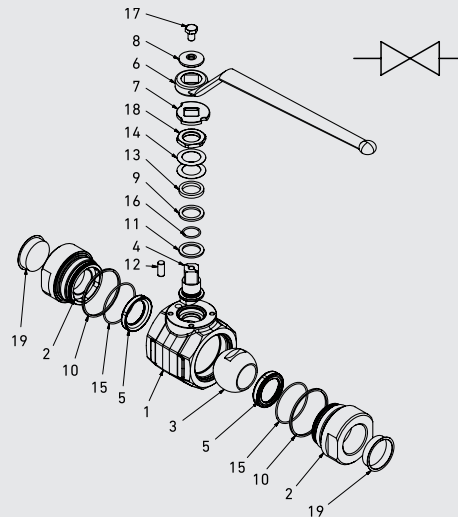
### CS Carbon Steel

- Type: ball valve 2way
- Sizes: from DN6 up to DN50
- Ends: BSP-NPT-SW-SWXT -PE BW
- O-Rings: NBR, FKM, EPDM, MVQ
- Pressure: up to PN500 / S6000
- Temp range: -46°C to +250°C (depending on materials selected)
- Treatment: Galvanized

### SS Stainless Steel

- Type: ball valve 2way
- Sizes: from DN6 up to DN50
- Ends: BSP-NPT-SW-SWXT -PE BW
- O-Rings: NBR, FKM, EPDM, MVQ
- Pressure: up to PN500 / S6000
- Temp range: -46°C to +250°C (depending on materials selected)

### STANDARD COMPOSITION OF VALVE



POS	DESCRIPTION	Q.TY	CS	SS	POS	DESCRIPTION	Q.TY	CS	SS
			Carbon Steel	Stainless Steel				Carbon Steel	Stainless Steel
			MATERIAL					MATERIAL	
1	Body	1	ASTM A350 LF2	ASTM A182 F316	11	Stem ring	2	PTFE	PTFE
2	Adapter	2	ASTM A350 LF2	ASTM A182 F316	12	Spine	1	AISI 316	AISI 316
3	Ball	1	ASTM A479 Tp.316	ASTM A479 Tp.316	13	Press ring	1	AISI 316	AISI 316
4	Stem	1	ASTM A479 Tp.316	ASTM A479 Tp.316	14	Spring	2	AISI 316	AISI 316
5	Ball seat	2	POM	POM	15	Adapter o-ring	2	FKM	FKM
6	Handle	1	Fe37	Fe37	16	Stem o-ring	1	FKM	FKM
7	Washer	1	AISI 316	AISI 316	17	Screw	1	ISO 4762 A4	ISO4762 A4
8	Washer	1	AISI 316	AISI 316	18	Nut	1	AISI 316	AISI 316
9	Body ring	1	Graphite	Graphite	19	Caps	2	PVC	PVC
10	Adapter ring	2	Graphite	Graphite					

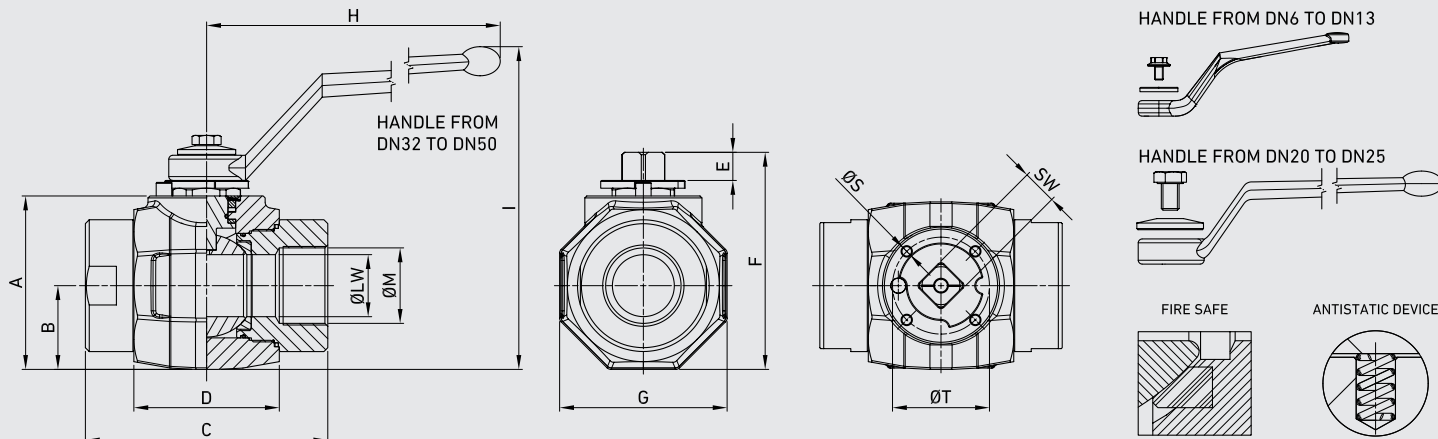


## CODE DESCRIPTION STRUCTURE

		GN	G1 1/2	DN13	LF2	F316	POM																																													
<b>Type and way of valve</b>		GN 2-way																																																		
<b>Ends</b>		<table border="1"> <thead> <tr> <th>GAS DIN/ ISO 228 BSP</th> <th>NPT ANSI /ASME B1.20.1</th> <th>SW</th> <th>SW EXTRALONG</th> <th>PE</th> </tr> </thead> <tbody> <tr><td>G 1/4</td><td>N 1/4</td><td>SW 1/4</td><td>SWXT 1/4</td><td>PE 1/4</td></tr> <tr><td>G 3/8</td><td>N 3/8</td><td>SW 3/8</td><td>SWXT 3/8</td><td>PE 3/8</td></tr> <tr><td>G 1/2</td><td>N 1/2</td><td>SW 1/2</td><td>SWXT 1/2</td><td>PE 1/2</td></tr> <tr><td>G 3/4</td><td>N 3/4</td><td>SW 3/4</td><td>SWXT 3/4</td><td>PE 3/4</td></tr> <tr><td>G 1</td><td>N 1</td><td>SW 1</td><td>SWXT 1</td><td>PE 1</td></tr> <tr><td>G 1 1/4</td><td>N 1 1/4</td><td>SW 1 1/4</td><td>SWXT 1 1/4</td><td>PE 1 1/4</td></tr> <tr><td>G 1 1/2</td><td>N 1 1/2</td><td>SW 1 1/2</td><td>SWXT 1 1/2</td><td>PE 1 1/2</td></tr> <tr><td>G 2</td><td>N 2</td><td>SW 2</td><td>SWXT 2</td><td>PE 2</td></tr> </tbody> </table>						GAS DIN/ ISO 228 BSP	NPT ANSI /ASME B1.20.1	SW	SW EXTRALONG	PE	G 1/4	N 1/4	SW 1/4	SWXT 1/4	PE 1/4	G 3/8	N 3/8	SW 3/8	SWXT 3/8	PE 3/8	G 1/2	N 1/2	SW 1/2	SWXT 1/2	PE 1/2	G 3/4	N 3/4	SW 3/4	SWXT 3/4	PE 3/4	G 1	N 1	SW 1	SWXT 1	PE 1	G 1 1/4	N 1 1/4	SW 1 1/4	SWXT 1 1/4	PE 1 1/4	G 1 1/2	N 1 1/2	SW 1 1/2	SWXT 1 1/2	PE 1 1/2	G 2	N 2	SW 2	SWXT 2	PE 2
GAS DIN/ ISO 228 BSP	NPT ANSI /ASME B1.20.1	SW	SW EXTRALONG	PE																																																
G 1/4	N 1/4	SW 1/4	SWXT 1/4	PE 1/4																																																
G 3/8	N 3/8	SW 3/8	SWXT 3/8	PE 3/8																																																
G 1/2	N 1/2	SW 1/2	SWXT 1/2	PE 1/2																																																
G 3/4	N 3/4	SW 3/4	SWXT 3/4	PE 3/4																																																
G 1	N 1	SW 1	SWXT 1	PE 1																																																
G 1 1/4	N 1 1/4	SW 1 1/4	SWXT 1 1/4	PE 1 1/4																																																
G 1 1/2	N 1 1/2	SW 1 1/2	SWXT 1 1/2	PE 1 1/2																																																
G 2	N 2	SW 2	SWXT 2	PE 2																																																
<b>Sizes</b>		DN6 DN10 DN13 DN20 DN25 DN32 DN40 DN50																																																		
<b>Body and adapter material</b>		<input type="radio"/> LF2 <input checked="" type="radio"/> F316																																																		
<b>Stem and ball material</b>		<input type="radio"/> F316 <input checked="" type="radio"/> F316																																																		
<b>Ball seat material</b>		POM PEEK* GEMPTFE*																																																		
<b>Adapter and stem seal material</b>		FKM NBR* EPDM* MVQ*																																																		

- \*On request
- Reduced bore
  - Special threads
  - Pressure class up to PN500 or 6000 Psi
  - Locking device
  - Pneumatic and electrical actuator

For further special requests please consult our technical/commercial service.



GN DIN/ISO 228 BSP

TYPE	DN		A	B	C	D	E	F	ØG*	H	I	ØLW	ØM	ØS	ISO 5211	ØT	SW	WEIGHT	
GN G 1/4	6	mm	48,5	22	72	44	9,4	65	45	107	108	6	G 1/4	M5	F03	36	9	kg	0,82
		inch	1,91	0,87	2,83	1,73	0,37	2,56	1,77	4,21	4,25	0,24						1,42	0,35
GN G 3/8	10	mm	48,5	22	73	44	9,4	65	45	107	108	10	G 3/8	M5	F03	36	9	kg	0,82
		inch	1,91	0,87	2,87	1,73	0,37	2,56	1,77	4,21	4,25	0,39						1,42	0,35
GN G 1/2	13	mm	53	24	81	48	9,4	70	49	107	113	13	G 1/2	M5	F03	36	9	kg	1,041
		inch	2,09	0,94	3,19	1,89	0,37	2,76	1,93	4,21	4,45	0,51						1,42	0,35
GN G 3/4	20	mm	66	30	98	62	13,4	88	61	200	123	20	G 3/4	M6	F05	50	14	kg	2,089
		inch	2,60	1,18	3,86	2,44	0,53	3,46	2,40	7,87	4,84	0,79						1,97	0,55
GN G 1	25	mm	76	36	106	66	13,4	98	73	200	133	25	G 1	M6	F05	50	14	kg	2,822
		inch	2,99	1,42	4,17	2,60	0,53	3,86	2,87	7,87	5,24	0,98						1,97	0,55
GN G 1 1/4	32	mm	89,5	43	126	75	14,5	112	86	310	166	32	G 1 1/4	M6	F05	50	17	kg	4,508
		inch	3,52	1,69	4,96	2,95	0,57	4,41	3,39	12,20	6,54	1,26						1,97	0,67
GN G 1 1/2	40	mm	106	53	135	85	14	129	106	310	184	40	G 1 1/2	M6	F05	50	17	kg	6,89
		inch	4,17	2,09	5,31	3,35	0,55	5,08	4,17	12,20	7,24	1,57						1,97	0,67
GN G 2	50	mm	116	59	160	98	13,5	138	118	310	194	50	G 2	M6	F05	50	17	kg	9,628
		inch	4,57	2,32	6,30	3,86	0,53	5,43	4,65	12,20	7,64	1,97						1,97	0,67

**(POM SEAL)**

GN DIN/ISO 228 PN500

DN	PN	CS	SS
		Carbon Steel	Stainless Steel
		ITEM CODE	
6	MPa 50	GN2GGT15024B000	GN2GGT15044B000
	Psi 7250		
10	MPa 50	GN2GGT25024B000	GN2GGT25044B000
	Psi 7250		
13	MPa 50	GN2GGT35024B000	GN2GGT35044B000
	Psi 7250		
20	MPa 42	GN2GGT44024B000	GN2GGT44044B000
	Psi 6090		
25	MPa 42	GN2GGT53024B000	GN2GGT53044B000
	Psi 6090		
32	MPa 42	GN2GGT63024B000	GN2GGT63044B000
	Psi 6090		
40	MPa 42	GN2GGT73024B000	GN2GGT73044B000
	Psi 6090		
50	MPa 42	GN2GGT83024B000	GN2GGT83044B000
	Psi 6090		

**(POM SEAL)**

GN DIN/ISO 228 S6000

DN	PN	CS	SS
		Carbon Steel	Stainless Steel
		ITEM CODE	
6	MPa 41,4	GN2GGT1G024B000	GN2GGT1G044B000
	Psi 6000		
10	MPa 41,4	GN2GGT2G024B000	GN2GGT2G044B000
	Psi 6000		
13	MPa 41,4	GN2GGT3G024B000	GN2GGT3G044B000
	Psi 6000		
20	MPa 41,4	GN2GGT4G024B000	GN2GGT4G044B000
	Psi 6000		
25	MPa 41,4	GN2GGT5G024B000	GN2GGT5G044B000
	Psi 6000		
32	MPa 41,4	GN2GGT6G024B000	GN2GGT6G044B000
	Psi 6000		
40	MPa 41,4	GN2GGT7G024B000	GN2GGT7G044B000
	Psi 6000		
50	MPa 41,4	GN2GGT8G024B000	GN2GGT8G044B000
	Psi 6000		

**(PEEK SEAL)**

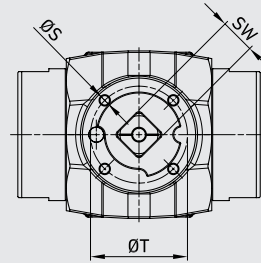
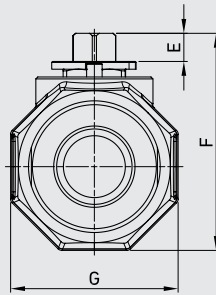
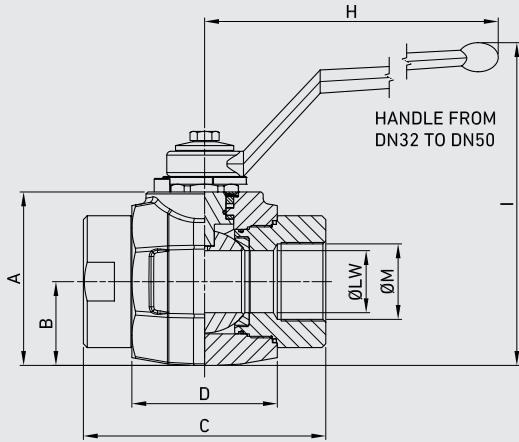
GN DIN/ISO 228 S6000

DN	PN	CS	SS
		Carbon Steel	Stainless Steel
		ITEM CODE	
6	MPa 41,4	GN2GGT1G024N000	GN2GGT1G044N000
	Psi 6000		
10	MPa 41,4	GN2GGT2G024N000	GN2GGT2G044N000
	Psi 6000		
13	MPa 41,4	GN2GGT3G024N000	GN2GGT3G044N000
	Psi 6000		
20	MPa 41,4	GN2GGT4G024N000	GN2GGT4G044N000
	Psi 6000		
25	MPa 41,4	GN2GGT5G024N000	GN2GGT5G044N000
	Psi 6000		
32	MPa 41,4	GN2GGT6G024N000	GN2GGT6G044N000
	Psi 6000		
40	MPa 41,4	GN2GGT7G024N000	GN2GGT7G044N000
	Psi 6000		
50	MPa 41,4	GN2GGT8G024N000	GN2GGT8G044N000
	Psi 6000		

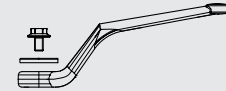
**(GEMPTFE SEAL)**

GN DIN/ISO 228 S6000

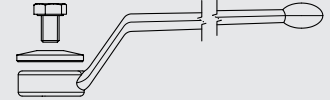
DN	PN	CS	SS
		Carbon Steel	Stainless Steel
		ITEM CODE	
6	MPa 35,0	GN2GGT1G024I000	GN2GGT1G044I000
	Psi 5075		
10	MPa 35,0	GN2GGT2G024I000	GN2GGT2G044I000
	Psi 5075		
13	MPa 35,0	GN2GGT3G024I000	GN2GGT3G044I000
	Psi 5075		
20	MPa 17,5	GN2GGT4G024I000	GN2GGT4G044I000
	Psi 2537,5		
25	MPa 15,0	GN2GGT5G024I000	GN2GGT5G044I000
	Psi 2175		
32	MPa 10,0	GN2GGT6G024I000	GN2GGT6G044I000
	Psi 1450		
40	MPa 10,0	GN2GGT7G024I000	GN2GGT7G044I000
	Psi 1450		
50	MPa 10,0	GN2GGT8G024I000	GN2GGT8G044I000
	Psi 1450		



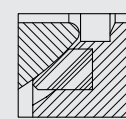
HANDLE FROM DN6 TO DN13



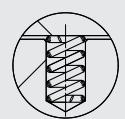
HANDLE FROM DN20 TO DN25



FIRE SAFE



ANTISTATIC DEVICE



GN ANSI/ASME B1.20.1 NPT

TYPE	DN		A	B	C	D	E	F	ØG*	H	I	ØLW	ØM	ØS	ISO 5211	ØT	SW	WEIGHT	
GN N 1/4	6	mm	48,5	22	72	44	9,4	65	45	107	108	6	N 1/4	M5	F03	36	9	kg	0,82
		inch	1,91	0,87	2,83	1,73	0,37	2,56	1,77	4,21	4,25	0,24						1,42	0,35
GN N 3/8	10	mm	48,5	22	73	44	9,4	65	45	107	108	10	N 3/8	M5	F03	36	9	kg	0,82
		inch	1,91	0,87	2,87	1,73	0,37	2,56	1,77	4,21	4,25	0,39						1,42	0,35
GN N 1/2	13	mm	53	24	81	48	9,4	70	49	107	113	13	N 1/2	M5	F03	36	9	kg	1,041
		inch	2,09	0,94	3,19	1,89	0,37	2,76	1,93	4,21	4,45	0,51						1,42	0,35
GN N 3/4	20	mm	66	30	98	62	13,4	88	61	200	123	20	N 3/4	M6	F05	50	14	kg	2,089
		inch	2,60	1,18	3,86	2,44	0,53	3,46	2,40	7,87	4,84	0,79						1,97	0,55
GN N 1	25	mm	76	36	106	66	13,4	98	73	200	133	25	N 1	M6	F05	50	14	kg	2,822
		inch	2,99	1,42	4,17	2,60	0,53	3,86	2,87	7,87	5,24	0,98						1,97	0,55
GN N 1 1/4	32	mm	89,5	43	126	75	14,5	112	86	310	166	32	N 1 1/4	M6	F05	50	17	kg	4,508
		inch	3,52	1,69	4,96	2,95	0,57	4,41	3,39	12,20	6,54	1,26						1,97	0,67
GN N 1 1/2	40	mm	106	53	135	85	14	129	106	310	184	40	N 1 1/2	M6	F05	50	17	kg	6,89
		inch	4,17	2,09	5,31	3,35	0,55	5,08	4,17	12,20	7,24	1,57						1,97	0,67
GN N 2	50	mm	116	59	160	98	13,5	138	118	310	194	50	N 2	M6	F05	50	17	kg	9,628
		inch	4,57	2,32	6,30	3,86	0,53	5,43	4,65	12,20	7,64	1,97						1,97	0,67

**(POM SEAL)**

GN ANSI/ASME B1.20.1 NPT PN500

DN	PN	CS	SS
		Carbon Steel	Stainless Steel
		ITEM CODE	
6	MPa 50	GN2NNT15024B000	GN2NNT15044B000
	Psi 7250		
10	MPa 50	GN2NNT25024B000	GN2NNT25044B000
	Psi 7250		
13	MPa 50	GN2NNT35024B000	GN2NNT35044B000
	Psi 7250		
20	MPa 42	GN2NNT44024B000	GN2NNT44044B000
	Psi 6090		
25	MPa 42	GN2NNT53024B000	GN2NNT53044B000
	Psi 6090		
32	MPa 42	GN2NNT63024B000	GN2NNT63044B000
	Psi 6090		
40	MPa 42	GN2NNT73024B000	GN2NNT73044B000
	Psi 6090		
50	MPa 42	GN2NNT83024B000	GN2NNT83044B000
	Psi 6090		

**(POM SEAL)**

GN ANSI/ASME B1.20.1 NPT S6000

DN	PN	CS	SS
		Carbon Steel	Stainless Steel
		ITEM CODE	
6	MPa 41,4	GN2NNT1G024B000	GN2NNT1G044B000
	Psi 6000		
10	MPa 41,4	GN2NNT2G024B000	GN2NNT2G044B000
	Psi 6000		
13	MPa 41,4	GN2NNT3G024B000	GN2NNT3G044B000
	Psi 6000		
20	MPa 41,4	GN2NNT4G024B000	GN2NNT4G044B000
	Psi 6000		
25	MPa 41,4	GN2NNT5G024B000	GN2NNT5G044B000
	Psi 6000		
32	MPa 41,4	GN2NNT6G024B000	GN2NNT6G044B000
	Psi 6000		
40	MPa 41,4	GN2NNT7G024B000	GN2NNT7G044B000
	Psi 6000		
50	MPa 41,4	GN2NNT8G024B000	GN2NNT8G044B000
	Psi 6000		

**(PEEK SEAL)**

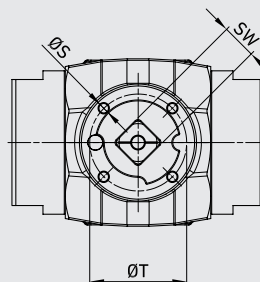
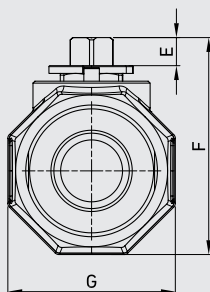
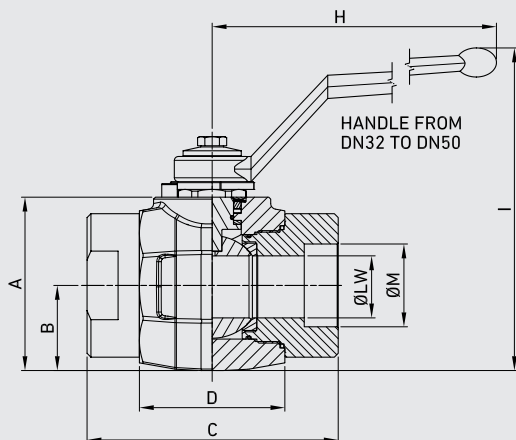
GN ANSI/ASME B1.20.1 NPT S6000

DN	PN	CS	SS
		Carbon Steel	Stainless Steel
		ITEM CODE	
6	MPa 41,4	GN2NNT1G024N000	GN2NNT1G044N000
	Psi 6000		
10	MPa 41,4	GN2NNT2G024N000	GN2NNT2G044N000
	Psi 6000		
13	MPa 41,4	GN2NNT3G024N000	GN2NNT3G044N000
	Psi 6000		
20	MPa 41,4	GN2NNT4G024N000	GN2NNT4G044N000
	Psi 6000		
25	MPa 41,4	GN2NNT5G024N000	GN2NNT5G044N000
	Psi 6000		
32	MPa 41,4	GN2NNT6G024N000	GN2NNT6G044N000
	Psi 6000		
40	MPa 41,4	GN2NNT7G024N000	GN2NNT7G044N000
	Psi 6000		
50	MPa 41,4	GN2NNT8G024N000	GN2NNT8G044N000
	Psi 6000		

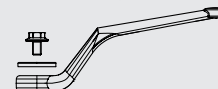
**(GEMPTFE SEAL)**

GN ANSI/ASME B1.20.1 NPT S6000

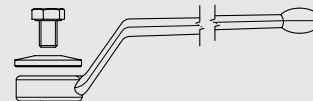
DN	PN	CS	SS
		Carbon Steel	Stainless Steel
		ITEM CODE	
6	MPa 35,0	GN2NNT1G024I000	GN2NNT1G044I000
	Psi 5075		
10	MPa 35,0	GN2NNT2G024I000	GN2NNT2G044I000
	Psi 5075		
13	MPa 35,0	GN2NNT3G024I000	GN2NNT3G044I000
	Psi 5075		
20	MPa 17,5	GN2NNT4G024I000	GN2NNT4G044I000
	Psi 2537,5		
25	MPa 15,0	GN2NNT5G024I000	GN2NNT5G044I000
	Psi 2175		
32	MPa 10,0	GN2NNT6G024I000	GN2NNT6G044I000
	Psi 1450		
40	MPa 10,0	GN2NNT7G024I000	GN2NNT7G044I000
	Psi 1450		
50	MPa 10,0	GN2NNT8G024I000	GN2NNT8G044I000
	Psi 1450		



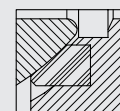
HANDLE FROM DN6 TO DN13



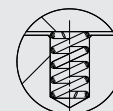
HANDLE FROM DN20 TO DN25



FIRE SAFE



ANTISTATIC DEVICE



GN SW

TYPE	DN		A	B	C	D	E	F	ØG*	H	I	ØLW	ØM	ØS	ISO 5211	ØT	SW	WEIGHT
GN SW 1/4	6	mm	48,5	22	72	44	9,4	65	45	107	108	6	SW 1/4	M5	F03	36	9	kg 0,82
		inch	1,91	0,87	2,83	1,73	0,37	2,56	1,77	4,21	4,25	0,24				1,42	0,35	lb 1,81
GN SW 3/8	10	mm	48,5	22	73	44	9,4	65	45	107	108	10	SW 3/8	M5	F03	36	9	kg 0,82
		inch	1,91	0,87	2,87	1,73	0,37	2,56	1,77	4,21	4,25	0,39				1,42	0,35	lb 1,81
GN SW 1/2	13	mm	53	24	81	48	9,4	70	49	107	113	13	SW 1/2	M5	F03	36	9	kg 1,041
		inch	2,09	0,94	3,19	1,89	0,37	2,76	1,93	4,21	4,45	0,51				1,42	0,35	lb 2,30
GN SW 3/4	20	mm	66	30	98	62	13,4	88	61	200	123	20	SW 3/4	M6	F05	50	14	kg 2,089
		inch	2,60	1,18	3,86	2,44	0,53	3,46	2,40	7,87	4,84	0,79				1,97	0,55	lb 4,61
GN SW 1	25	mm	76	36	106	66	13,4	98	73	200	133	25	SW 1	M6	F05	50	14	kg 2,822
		inch	2,99	1,42	4,17	2,60	0,53	3,86	2,87	7,87	5,24	0,98				1,97	0,55	lb 6,22
GN SW 1 1/4	32	mm	89,5	43	126	75	14,5	112	86	310	166	32	SW 1 1/4	M6	F05	50	17	kg 4,508
		inch	3,52	1,69	4,96	2,95	0,57	4,41	3,39	12,20	6,54	1,26				1,97	0,67	lb 9,94
GN SW 1 1/2	40	mm	106	53	135	85	14	129	106	310	184	40	SW 1 1/2	M6	F05	50	17	kg 6,89
		inch	4,17	2,09	5,31	3,35	0,55	5,08	4,17	12,20	7,24	1,57				1,97	0,67	lb 15,19
GN SW 2	50	mm	116	59	160	98	13,5	138	118	310	194	50	SW 2	M6	F05	50	17	kg 9,628
		inch	4,57	2,32	6,30	3,86	0,53	5,43	4,65	12,20	7,64	1,97				1,97	0,67	lb 21,23

**(POM SEAL)**  
GN SW PN500

DN	PN	CS	SS
		Carbon Steel	Stainless Steel
		ITEM CODE	
6	MPa 50	GN2TTT15024B000	GN2TTT15044B000
	Psi 7250		
10	MPa 50	GN2TTT25024B000	GN2TTT25044B000
	Psi 7250		
13	MPa 50	GN2TTT35024B000	GN2TTT35044B000
	Psi 7250		
20	MPa 42	GN2TTT44024B000	GN2TTT44044B000
	Psi 6090		
25	MPa 42	GN2TTT53024B000	GN2TTT53044B000
	Psi 6090		
32	MPa 42	GN2TTT63024B000	GN2TTT63044B000
	Psi 6090		
40	MPa 42	GN2TTT73024B000	GN2TTT73044B000
	Psi 6090		
50	MPa 42	GN2TTT83024B000	GN2TTT83044B000
	Psi 6090		

**(POM SEAL)**  
GN SW S6000

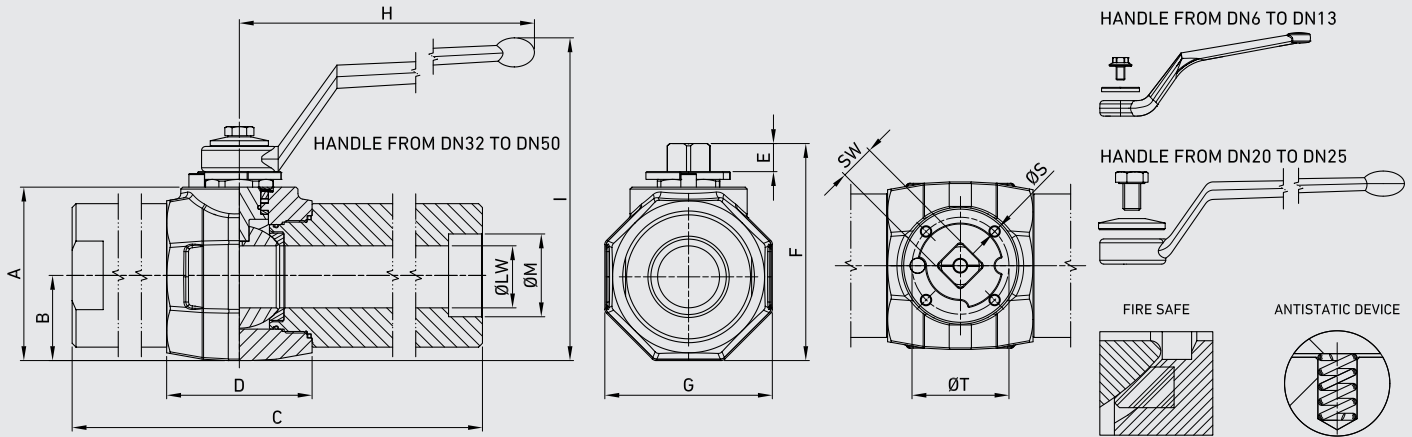
DN	PN	CS	SS
		Carbon Steel	Stainless Steel
		ITEM CODE	
6	MPa 41,4	GN2TTT1G024B000	GN2TTT1G044B000
	Psi 6000		
10	MPa 41,4	GN2TTT2G024B000	GN2TTT2G044B000
	Psi 6000		
13	MPa 41,4	GN2TTT3G024B000	GN2TTT3G044B000
	Psi 6000		
20	MPa 41,4	GN2TTT4G024B000	GN2TTT4G044B000
	Psi 6000		
25	MPa 41,4	GN2TTT5G024B000	GN2TTT5G044B000
	Psi 6000		
32	MPa 41,4	GN2TTT6G024B000	GN2TTT6G044B000
	Psi 6000		
40	MPa 41,4	GN2TTT7G024B000	GN2TTT7G044B000
	Psi 6000		
50	MPa 41,4	GN2TTT8G024B000	GN2TTT8G044B000
	Psi 6000		

**(PEEK SEAL)**  
GN SW S6000

DN	PN	CS	SS
		Carbon Steel	Stainless Steel
		ITEM CODE	
6	MPa 41,4	GN2TTT1G024N000	GN2TTT1G044N000
	Psi 6000		
10	MPa 41,4	GN2TTT2G024N000	GN2TTT2G044N000
	Psi 6000		
13	MPa 41,4	GN2TTT3G024N000	GN2TTT3G044N000
	Psi 6000		
20	MPa 41,4	GN2TTT4G024N000	GN2TTT4G044N000
	Psi 6000		
25	MPa 41,4	GN2TTT5G024N000	GN2TTT5G044N000
	Psi 6000		
32	MPa 41,4	GN2TTT6G024N000	GN2TTT6G044N000
	Psi 6000		
40	MPa 41,4	GN2TTT7G024N000	GN2TTT7G044N000
	Psi 6000		
50	MPa 41,4	GN2TTT8G024N000	GN2TTT8G044N000
	Psi 6000		

**(GEMPTFE SEAL)**  
GN SW S6000

DN	PN	CS	SS
		Carbon Steel	Stainless Steel
		ITEM CODE	
6	MPa 35,0	GN2TTT1G024I000	GN2TTT1G044I000
	Psi 5075		
10	MPa 35,0	GN2TTT2G024I000	GN2TTT2G044I000
	Psi 5075		
13	MPa 35,0	GN2TTT3G024I000	GN2TTT3G044I000
	Psi 5075		
20	MPa 17,5	GN2TTT4G024I000	GN2TTT4G044I000
	Psi 2537,5		
25	MPa 15,0	GN2TTT5G024I000	GN2TTT5G044I000
	Psi 2175		
32	MPa 10,0	GN2TTT6G024I000	GN2TTT6G044I000
	Psi 1450		
40	MPa 10,0	GN2TTT7G024I000	GN2TTT7G044I000
	Psi 1450		
50	MPa 10,0	GN2TTT8G024I000	GN2TTT8G044I000
	Psi 1450		



GN SW EXTRALONG

TYPE	DN		A	B	C	D	E	F	ØG*	H	I	ØLW	ØM	ØS	ISO 5211	ØT	SW	WEIGHT
GN SWXT 1/4	6	mm	48,5	22	262	44	9,4	65	45	107	108	6	SW 1/4	M5	F03	36	9	kg 2,702
		inch	1,91	0,87	10,31	1,73	0,37	2,56	1,77	4,21	4,25	0,24				1,42	0,35	lb 5,96
GN SWXT 3/8	10	mm	48,5	22	262	44	9,4	65	45	107	108	10	SW 3/8	M5	F03	36	9	kg 2,599
		inch	1,91	0,87	10,31	1,73	0,37	2,56	1,77	4,21	4,25	0,39				1,42	0,35	lb 5,73
GN SWXT 1/2	13	mm	53	24	271	48	9,4	70	49	107	113	13	SW 1/2	M5	F03	36	9	kg 3,303
		inch	2,09	0,94	10,67	1,89	0,37	2,76	1,93	4,21	4,45	0,51				1,42	0,35	lb 7,28
GN SWXT 3/4	20	mm	66	30	288	62	13,4	88	61	200	123	20	SW 3/4	M6	F05	50	14	kg 5,595
		inch	2,60	1,18	11,34	2,44	0,53	3,46	2,40	7,87	4,84	0,79				1,97	0,55	lb 12,33
GN SWXT 1	25	mm	76	36	296	66	13,4	98	73	200	133	25	SW 1	M6	F05	50	14	kg 7,534
		inch	2,99	1,42	11,65	2,60	0,53	3,86	2,87	7,87	5,24	0,98				1,97	0,55	lb 16,61
GN SWXT 11,4	32	mm	89,5	43	318	75	14,5	112	86	310	166	32	SW 1	M6	F05	50	17	kg 8,923
		inch	3,52	1,69	12,52	2,95	0,57	4,41	3,39	12,20	6,54	1,26	1/4			1,97	0,67	lb 19,67
GN SWXT 1 1/2	40	mm	106	53	325	85	14	129	106	310	184	40	SW 1	M6	F05	50	17	kg 14,49
		inch	4,17	2,09	12,80	3,35	0,55	5,08	4,17	12,20	7,24	1,57	1/2			1,97	0,67	lb 31,94
GN SWXT 2	50	mm	116	59	350	98	13,5	138	118	310	194	50	SW 2	M6	F05	50	17	kg 18,328
		inch	4,57	2,32	13,78	3,86	0,53	5,43	4,65	12,20	7,64	1,97				1,97	0,67	lb 40,41

**(POM SEAL)**

GN SW EXTRALONG PN500

DN	PN	CS	SS
		Carbon Steel	Stainless Steel
		ITEM CODE	
6	MPa 50	GN2TXT15024B000	GN2TXT15044B000
	Psi 7250		
10	MPa 50	GN2TXT25024B000	GN2TXT25044B000
	Psi 7250		
13	MPa 50	GN2TXT35024B000	GN2TXT35044B000
	Psi 7250		
20	MPa 42	GN2TXT44024B000	GN2TXT44044B000
	Psi 6090		
25	MPa 42	GN2TXT53024B000	GN2TXT53044B000
	Psi 6090		
32	MPa 42	GN2TXT63024B000	GN2TXT63044B000
	Psi 6090		
40	MPa 42	GN2TXT73024B000	GN2TXT73044B000
	Psi 6090		
50	MPa 42	GN2TXT83024B000	GN2TXT83044B000
	Psi 6090		

**(POM SEAL)**

GN SW EXTRALONG S6000

DN	PN	CS	SS
		Carbon Steel	Stainless Steel
		ITEM CODE	
6	MPa 41,4	GN2TXT1G024B000	GN2TXT1G044B000
	Psi 6000		
10	MPa 41,4	GN2TXT2G024B000	GN2TXT2G044B000
	Psi 6000		
13	MPa 41,4	GN2TXT3G024B000	GN2TXT3G044B000
	Psi 6000		
20	MPa 41,4	GN2TXT4G024B000	GN2TXT4G044B000
	Psi 6000		
25	MPa 41,4	GN2TXT5G024B000	GN2TXT5G044B000
	Psi 6000		
32	MPa 41,4	GN2TXT6G024B000	GN2TXT6G044B000
	Psi 6000		
40	MPa 41,4	GN2TXT7G024B000	GN2TXT7G044B000
	Psi 6000		
50	MPa 41,4	GN2TXT8G024B000	GN2TXT8G044B000
	Psi 6000		

**(PEEK SEAL)**

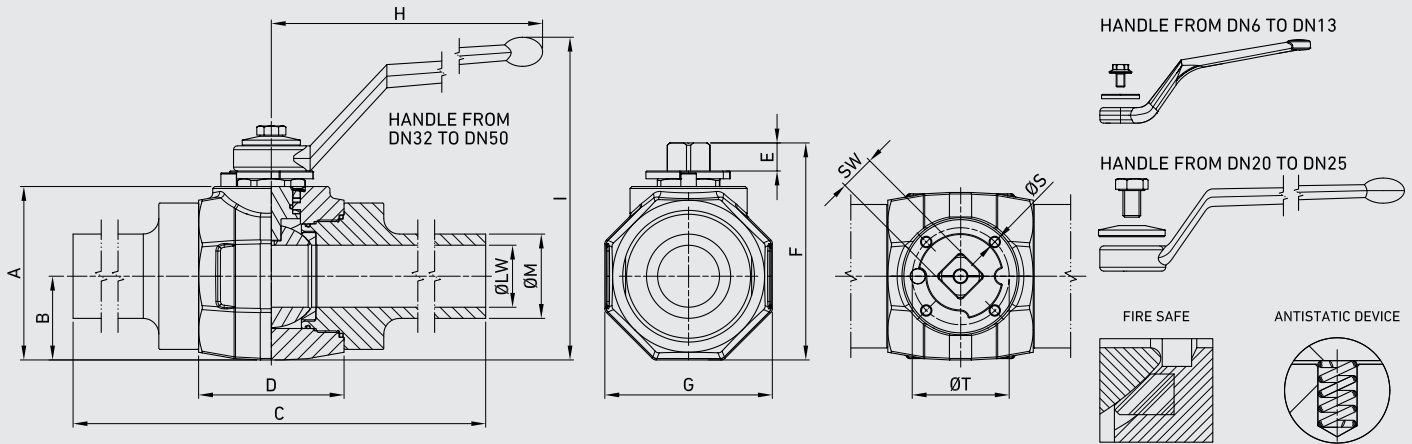
GN SW EXTRALONG S6000

DN	PN	CS	SS
		Carbon Steel	Stainless Steel
		ITEM CODE	
6	MPa 41,4	GN2TXT1G024N000	GN2TXT1G044N000
	Psi 6000		
10	MPa 41,4	GN2TXT2G024N000	GN2TXT2G044N000
	Psi 6000		
13	MPa 41,4	GN2TXT3G024N000	GN2TXT3G044N000
	Psi 6000		
20	MPa 41,4	GN2TXT4G024N000	GN2TXT4G044N000
	Psi 6000		
25	MPa 41,4	GN2TXT5G024N000	GN2TXT5G044N000
	Psi 6000		
32	MPa 41,4	GN2TXT6G024N000	GN2TXT6G044N000
	Psi 6000		
40	MPa 41,4	GN2TXT7G024N000	GN2TXT7G044N000
	Psi 6000		
50	MPa 41,4	GN2TXT8G024N000	GN2TXT8G044N000
	Psi 6000		

**(GEMPTFE SEAL)**

GN SW EXTRALONG S6000

DN	PN	CS	SS
		Carbon Steel	Stainless Steel
		ITEM CODE	
6	MPa 35,0	GN2TXT1G024I000	GN2TXT1G044I000
	Psi 5075		
10	MPa 35,0	GN2TXT2G024I000	GN2TXT2G044I000
	Psi 5075		
13	MPa 35,0	GN2TXT3G024I000	GN2TXT3G044I000
	Psi 5075		
20	MPa 17,5	GN2TXT4G024I000	GN2TXT4G044I000
	Psi 2537,5		
25	MPa 15,0	GN2TXT5G024I000	GN2TXT5G044I000
	Psi 2175		
32	MPa 10,0	GN2TXT6G024I000	GN2TXT6G044I000
	Psi 1450		
40	MPa 10,0	GN2TXT7G024I000	GN2TXT7G044I000
	Psi 1450		
50	MPa 10,0	GN2TXT8G024I000	GN2TXT8G044I000
	Psi 1450		



GN PE

TYPE	DN	A	B	C	D	E	F	ØG*	H	I	ØLW	LSC80	ØM	ØS	ISO 5211	ØT	SW	WEIGHT	
GN PE 1/4	6	mm	48,5	22	272	44	9,4	65	45	107	108	6	3,02	PE 1/4	M5	F03	36	9	kg 1,227
		inch	1,91	0,87	10,71	1,73	0,37	2,56	1,77	4,21	4,25	0,24	0,12				1,42	0,35	lb 2,71
GN PE 3/8	10	mm	48,5	22	272	44	9,4	65	45	107	108	10	3,2	PE 3/8	M5	F03	36	9	kg 1,27
		inch	1,91	0,87	10,71	1,73	0,37	2,56	1,77	4,21	4,25	0,39	0,13				1,42	0,35	lb 2,80
GN PE 1/2	13	mm	53	24	281	48	9,4	70	49	107	113	13	3,73	PE 1/2	M5	F03	36	9	kg 1,709
		inch	2,09	0,94	11,06	1,89	0,37	2,76	1,93	4,21	4,45	0,51	0,15				1,42	0,35	lb 3,77
GN PE 3/4	20	mm	66	30	298	62	13,4	88	61	200	123	20	3,91	PE 3/4	M6	F05	50	14	kg 3,159
		inch	2,60	1,18	11,73	2,44	0,53	3,46	2,40	7,87	4,84	0,79	0,15				1,97	0,55	lb 6,96
GN PE 1	25	mm	76	36	306	66	13,4	98	73	200	133	25	4,55	PE 1	M6	F05	50	14	kg 4,224
		inch	2,99	1,42	12,05	2,60	0,53	3,86	2,87	7,87	5,24	0,98	0,18				1,97	0,55	lb 9,31
GN PE 1 1/4	32	mm	89,5	43	327	75	14,5	112	86	310	166	32	4,85	PE 1 1/4	M6	F05	50	17	kg 4,751
		inch	3,52	1,69	12,87	2,95	0,57	4,41	3,39	12,20	6,54	1,26	0,19				1,97	0,67	lb 10,47
GN PE 1 1/2	40	mm	106	53	335	85	14	129	106	310	184	40	5,08	PE 1 1/2	M6	F05	50	17	kg 8,306
		inch	4,17	2,09	13,19	3,35	0,55	5,08	4,17	12,20	7,24	1,57	0,20				1,97	0,67	lb 18,31
GN PE2	50	mm	116	59	360	98	13,5	138	118	310	194	50	5,54	PE 2	M6	F05	50	17	kg 11,402
		inch	4,57	2,32	14,17	3,86	0,53	5,43	4,65	12,20	7,64	1,97	0,22				1,97	0,67	lb 25,14

**(POM SEAL)**  
GN PE PN500

DN	PN	CS	SS
		Carbon Steel	Stainless Steel
		ITEM CODE	
6	MPa 50	GN2BWT15024B000	GN2BWT15044B000
	Psi 7250		
10	MPa 50	GN2BWT25024B000	GN2BWT25044B000
	Psi 7250		
13	MPa 50	GN2BWT35024B000	GN2BWT35044B000
	Psi 7250		
20	MPa 42	GN2BWT44024B000	GN2BWT44044B000
	Psi 6090		
25	MPa 42	GN2BWT53024B000	GN2BWT53044B000
	Psi 6090		
32	MPa 42	GN2BWT63024B000	GN2BWT63044B000
	Psi 6090		
40	MPa 42	GN2BWT73024B000	GN2BWT73044B000
	Psi 6090		
50	MPa 42	GN2BWT83024B000	GN2BWT83044B000
	Psi 6090		

**(POM SEAL)**  
GN PE S6000

DN	PN	CS	SS
		Carbon Steel	Stainless Steel
		ITEM CODE	
6	MPa 41,4	GN2BWTG1024B000	GN2BWTG1044B000
	Psi 6000		
10	MPa 41,4	GN2BWT2G024B000	GN2BWT2G044B000
	Psi 6000		
13	MPa 41,4	GN2BWT3G024B000	GN2BWT3G044B000
	Psi 6000		
20	MPa 41,4	GN2BWT4G024B000	GN2BWT4G044B000
	Psi 6000		
25	MPa 41,4	GN2BWT5G024B000	GN2BWT5G044B000
	Psi 6000		
32	MPa 41,4	GN2BWT6G024B000	GN2BWT6G044B000
	Psi 6000		
40	MPa 41,4	GN2BWT7G024B000	GN2BWT7G044B000
	Psi 6000		
50	MPa 41,4	GN2BWT8G024B000	GN2BWT8G044B000
	Psi 6000		

**(PEEK SEAL)**  
GN PE S6000

DN	PN	CS	SS
		Carbon Steel	Stainless Steel
		ITEM CODE	
6	MPa 41,4	GN2BWT1G024N000	GN2BWTG1044N000
	Psi 6000		
10	MPa 41,4	GN2BWT2G024N000	GN2BWT2G044N000
	Psi 6000		
13	MPa 41,4	GN2BW T3G024N000	GN2BWT3G044N000
	Psi 6000		
20	MPa 41,4	GN2BWT4G024N000	GN2BWT4G044N000
	Psi 6000		
25	MPa 41,4	GN2BW T5G024N000	GN2BWT5G044N000
	Psi 6000		
32	MPa 41,4	GN2BWT6G024N000	GN2BWT6G044N000
	Psi 6000		
40	MPa 41,4	GN2BWT7G024N000	GN2BWT7G044N000
	Psi 6000		
50	MPa 41,4	GN2BWT8G024N000	GN2BWT8G044N000
	Psi 6000		

**(GEMPTFE SEAL)**  
GN PE S6000

DN	PN	CS	SS
		Carbon Steel	Stainless Steel
		ITEM CODE	
6	MPa 35,0	GN2BWT1G024I000	GN2BWT1G044I000
	Psi 5075		
10	MPa 35,0	GN2BWT2G024I000	GN2BWT2G044I000
	Psi 5075		
13	MPa 35,0	GN2BWT3G024I000	GN2BWT3G044I000
	Psi 5075		
20	MPa 17,5	GN2BWT4G024I000	GN2BWT4G044I000
	Psi 2537,5		
25	MPa 15,0	GN2BWT5G024I000	GN2BWT5G044I000
	Psi 2175		
32	MPa 10,0	GN2BWT6G024I000	GN2BWT6G044I000
	Psi 1450		
40	MPa 10,0	GN2BWT7G024I000	GN2BWT7G044I000
	Psi 1450		
50	MPa 10,0	GN2BWT8G024I000	GN2BWT8G044I000
	Psi 1450		